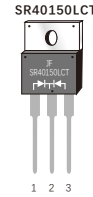


FEATURES

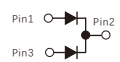
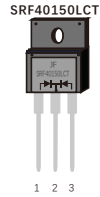
- Power pack
- Metal silicon junction ,majority carrier conduction
- Guard ring for overvoltage protection
- Low power loss ,high efficiency
- High current capability ,low forward voltage drop
- High forward surge capability
- High frequency operation
- Per J-STD-020,LF MAX peak of 260°C (for TO-263 package)
- Solder bath temperature 275°C maximum, 10s, per JESD22-B106 (for TO-220AB and ITO-220AB package)
- Component in accordance to RoHS 2015/863/EU



TO-220AB



ITO-220AB



TO-263
SR40150LD1



MECHANICAL DATA

- Case: JEDEC TO-220AB、ITO-220AB、TO-263
- Molding compound meets UL94V-0 flammability rating
- Terminals: Lead solderable per J-STD-002 and JESD22-B102
- Polarity: As marked
- Mounting Torque: 10 in-lbs maximum

TYPICAL APPLICATIONS

For use in low voltage ,high frequency inverters ,DC/DC converters,free wheeling ,and polarity protection applications

MAXIMUM RATINGS

(Ratings at 25°C ambient temperature unless otherwise specified)

Parameter	Symbol	Value	Unit
Maximum repetitive peak reverse voltage	V_{RRM}	150	V
Maximum average forward rectified current (see fig.1)	Per leg	20.0	A
	Total device	40.0	
Peak forward surge current 8.3ms single half sine-wave superimposed on rated load (JEDEC method at rated TL)	I_{FSM}	300	A
Peak repetitive reverse current per diode at $t_p=2\mu s$ 1KHz	I_{RRM}	0.5	A
Operating junction and Storage temperature range	T_J, T_{stg}	-55 to+150	°C
Isolation voltage(ITO-220AB only)from terminals to heatsink $t=1$ min	V_{AC}	1500	V

PRIMARY CHARACTERISTICS	
$I_{F(AV)}$	2×20A
V_{RRM}	150V
I_{FSM}	300A
V_f at $I_f=20.0A$,Per leg	0.83V
I_R	2.5 μA
$T_J(MAX)$	150°C
Package	TO-220AB, ITO-220AB, TO-263
Diode variations	Common cathode

ELECTRICAL CHARACTERISTICS (T_A=25°C Unless otherwise noted)

Parameter	Test Conditions		Symbol	Typ.	Max.	Unit
Instantaneous forward voltage	Per leg T _J =25°C	I _F =3A	V _F ¹⁾	0.64	-	V
		I _F =5A		0.68	-	
		I _F =15A		0.78	-	
		I _F =20A		0.80	0.90	
	Per leg T _J =125°C	I _F =3A		0.48	-	
		I _F =5A		0.53	-	
		I _F =15A		0.63	-	
		I _F =20A		0.67	-	
Reverse current	V _R =150V	T _J =25°C	I _R ²⁾	2.5	10	μA
		T _J =125°C		2.7	12	mA
Typical junction capacitance	4V,1MHz		C _J	144		pF

Notes: 1.Pulse test: 300 μs pulse width,1% duty cycle

2.Pulse test: pulse width ≤ 40ms

THERMAL CHARACTERISTICS

Parameter	Symbol	SR40150LCT	SRF40150LCT	SR40150LD1	Unit
Typical thermal resistance ³⁾	R _{θc}	1.0	3.2	1.0	°C/W

3.Thermal resistance from junction to case,Total device

AVAILABLE PACK INFORMATION

Product code	Pack	Carton Size L×W×H(mm)	Inner Box Size L×W×H(mm)	Tube Length (mm)	Inner Box Number	Tube Number Per A Inner Box	Part Number Per A Tube	Quantity(carton) (K)
SR40150LCT-TO-220AB	Tube	565×225×170	548×151×37	540	5	20	50	5
SRF40150LCT-ITO-220AB	Tube	565×225×170	548×151×37	540	5	20	50	5
SR40150LD1-TO-263	Tube	565×225×170	548×151×37	538	5	20	50	5
Product code	Pack	Carton Size L×W×H(mm)	Inner Box Size L×W×H(mm)	Reel Diameter (mm)	Inner Box Number	Reel Number Per A Inner Box	Part Number Per A Reel	Quantity(carton) (K)
SR40150LD1-TO-263	Reel	364×364×235	330×330×38	φ330	5	1	800	4

FIG.1-FORWARD CURRENT DERATING CURVE

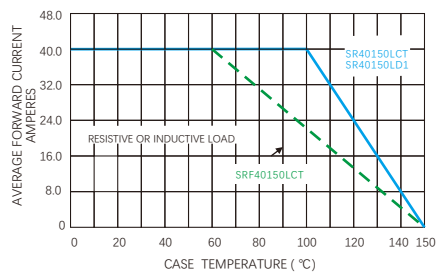


FIG.2-MAXIMUM NON-REPETITIVE PEAK FORWARD SURGE CURRENT

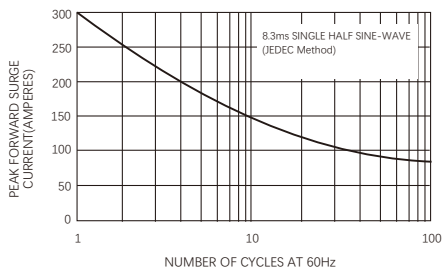


FIG.3-TYPICAL INSTANTANEOUS FORWARD CHARACTERISTICS

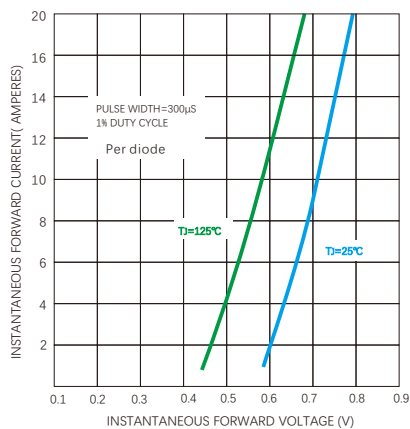


FIG.4-TYPICAL REVERSE CHARACTERISTICS

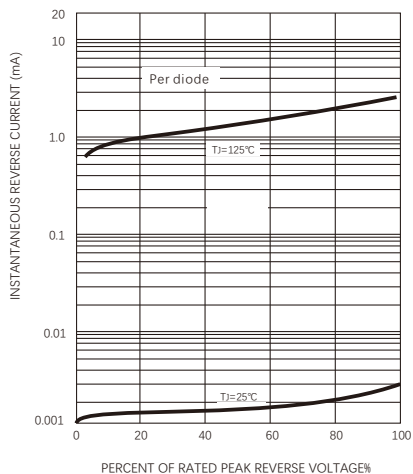
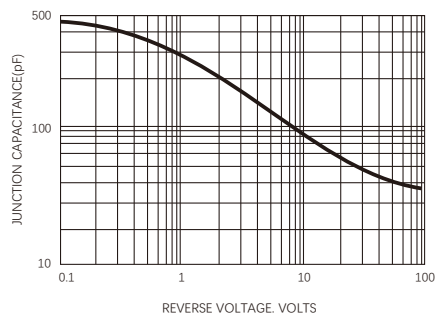
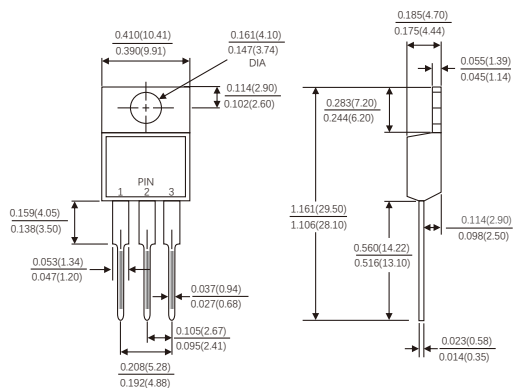


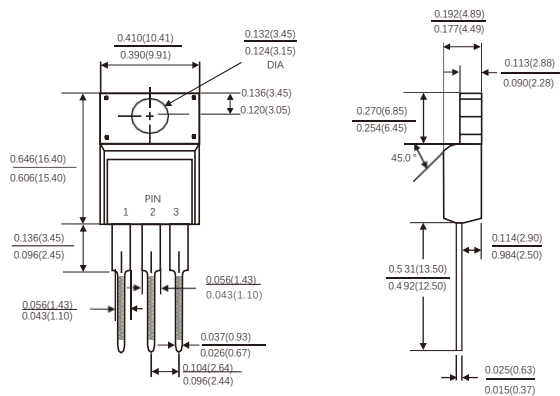
FIG.5-TYPICAL JUNCTION CAPACITANCE



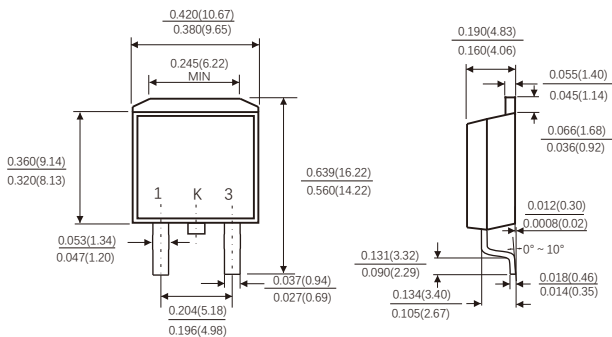
TO-220AB



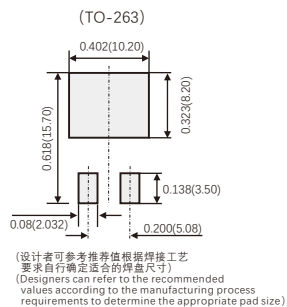
ITO-220AB



TO-263



Suggested Pad Layout



Dimensions in inches and (millimeters)

Friendship Reminder

- JiNan JingHeng (hereinafter referred to as JH) reserves the right to make changes to this document and its products and specifications at anytime without notice.
- Customers should obtain and confirm the latest product information and specifications before final design, purchase or use.
- JH makes no warranty, representation or guarantee regarding the suitability of its products for any particular purpose, nor does JH assume any liability for application assistance or customer product design.
- JH does not warrant or accept any liability with products which are purchased or used for any unintended or unauthorized application.
- No license is granted by implication or otherwise under any intellectual property rights of JH.
- JH's products are not authorized for use as critical components in life support devices or systems without express written approval of JH.