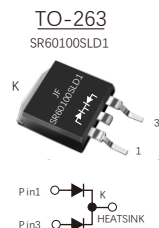
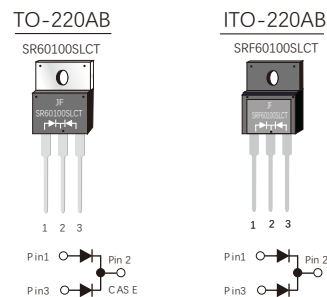


### FEATURES

- Power pack
- Metal silicon junction ,majority carrier conduction
- Guard ring for overvoltage protection
- Low power loss ,high efficiency
- High current capability ,low forward voltage drop
- High forward surge capability
- High frequency operation
- Per J-STD-020,LF MAX peak of 260°C (for TO-263 package)
- Solder bath temperature 275°C maximum, 10s, per JESD22-B106 (for TO-220AB and ITO-220AB package)
- Component in accordance to RoHS 2015/863/EU



### MECHANICAL DATA

- Case: JEDEC TO-220AB、ITO-220AB、TO-263
- Molding compound meets UL94V-0 flammability rating
- Terminals: Lead solderable per J-STD-002 and JESD22-B102
- Polarity: As marked
- Mounting Torque: 10 in-lbs maximum

### TYPICAL APPLICATIONS

For use in low voltage ,high frequency inverters ,DC/DC converters,free wheeling ,and polarity protection applications

### MAXIMUM RATINGS

(Ratings at 25°C ambient temperature unless otherwise specified )

Parameter	Symbol	Value	Unit
Maximum repetitive peak reverse voltage	V <sub>RRM</sub>	100	V
Maximum average forward rectified current (see fig.1)	Per leg	30.0	A
	Total device	60.0	
Peak forward surge current 8.3ms single half sine-wave superimposed on rated load (JEDEC method at rated TL) ,Total device	I <sub>FSM</sub>	350	A
Peak repetitive reverse current per diode at tp=2μs 1KHz	I <sub>RRM</sub>	0.5	A
Storage temperature range	T <sub>stg</sub>	-55 to+150	°C
Operating junction temperature range	T <sub>J</sub>	-55 to+150	°C

PRIMARY CHARACTERISTICS	
I <sub>r(AV)</sub>	2×30A
V <sub>RRM</sub>	100V
I <sub>FSM</sub>	350A
V <sub>r</sub> at I <sub>r</sub> =30.0A,Per leg,T <sub>J</sub> =125°C	0.66V,Typ
I <sub>r</sub> ,T <sub>J</sub> =25°C	15μA Typ
T <sub>J(MAX)</sub>	150°C
Package	TO-220AB,ITO-220AB, TO-263
Diode variations	Common cathode

ELECTRICAL CHARACTERISTICS (T<sub>A</sub>=25°C Unless otherwise noted)

Parameter	Test Conditions		Symbol	Typ.	Max.	Unit
Instaneous forward voltage	T <sub>J</sub> =25°C	I <sub>F</sub> =5.0A	V <sub>F</sub> <sup>1)</sup>	0.43	-	V
		I <sub>F</sub> =10.0A		0.49	-	
		I <sub>F</sub> =15.0A		0.55	-	
		I <sub>F</sub> =20.0A		0.60	-	
		I <sub>F</sub> =30.0A		0.69	0.77	
	T <sub>J</sub> =125°C	I <sub>F</sub> =5.0A		0.34	-	
		I <sub>F</sub> =10.0A		0.43	-	
		I <sub>F</sub> =15.0A		0.51	-	
		I <sub>F</sub> =20.0A		0.57	-	
		I <sub>F</sub> =30.0A		0.67	0.75	
Reverse current	V <sub>R</sub> =100V	T <sub>A</sub> =25°C	I <sub>R</sub> <sup>2)</sup>	15	50	μA
		T <sub>A</sub> =100°C		3.5	-	mA
		T <sub>A</sub> =125°C		15	-	
Typical junction capacitance	4V,1MHz		C <sub>J</sub>	2140		pF

Notes: 1. Pulse test: 300 μs pulse width,1% duty cycle

2.Pulse test: pulse width ≤40ms

THERMAL CHARACTERISTICS

Parameter	Symbol	TO-220AB	ITO-220AB	TO-263	Unit
Typical thermal resistance <sup>3)</sup>	R <sub>θjc</sub>	0.5	1.5	0.5	°C/W

3.Thermal resistance from junction to case

AVAILABLE PACK INFORMATION

Product code	Pack	Carton Size L×W×H(mm)	Inner Box Size L×W×H(mm)	Tube Length (mm)	Inner Box Number	Tube Number Per A Inner Box	Part Number Per A Tube	Quantity(carton) (K)
SR60100SLCT-TO-220AB	Tube	565×225×170	548×151×37	540	5	20	50	5
SRF60100SLCT-ITO-220AB	Tube	565×225×170	548×151×37	540	5	20	50	5
SR60100SLD1-TO-263	Tube	565×225×170	548×151×37	538	5	20	50	5
Product code	Pack	Carton Size L×W×H(mm)	Inner Box Size L×W×H(mm)	Reel Diameter (mm)	Inner Box Number	Reel Number Per A Inner Box	Part Number Per A Reel	Quantity(carton) (K)
SR60100SLD1-TO-263	Reel	364×364×235	330×330×38	φ330	5	1	800	4

FIG.1-FORWARD CURRENT DERATING CURVE

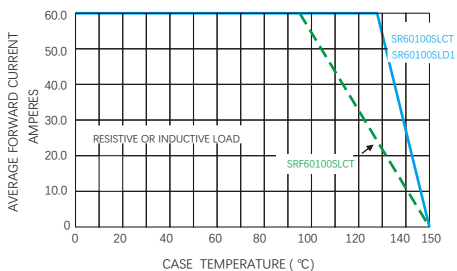


FIG.2-MAXIMUM NON-REPETITIVE PEAK FORWARD SURGE CURRENT

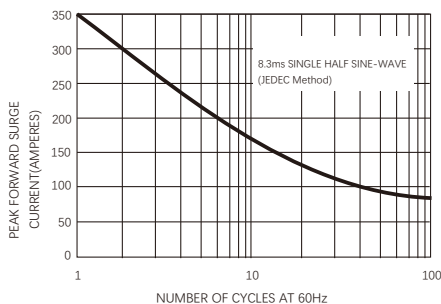


FIG.3-TYPICAL INSTANTANEOUS FORWARD CHARACTERISTICS

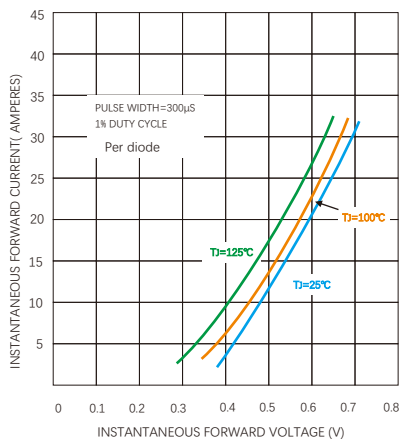


FIG.4-TYPICAL REVERSE CHARACTERISTICS

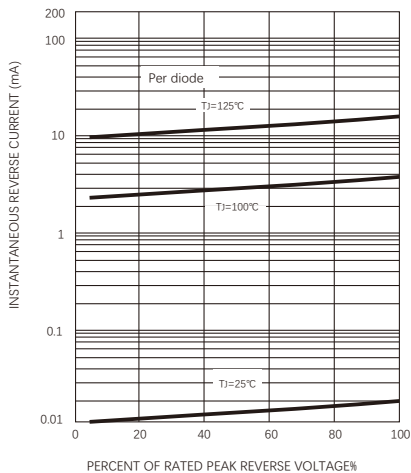
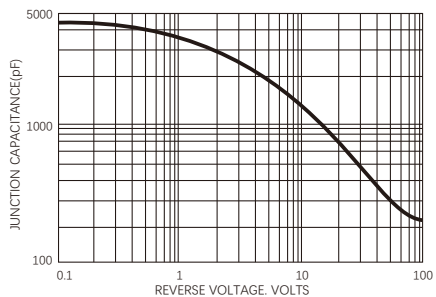
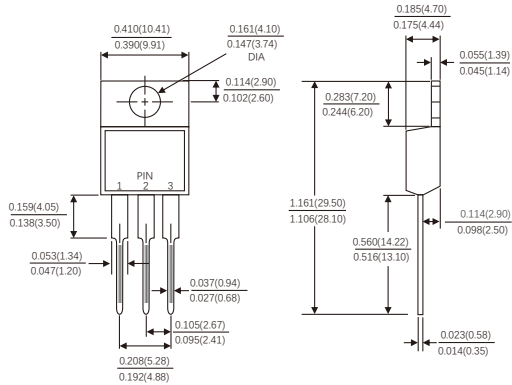


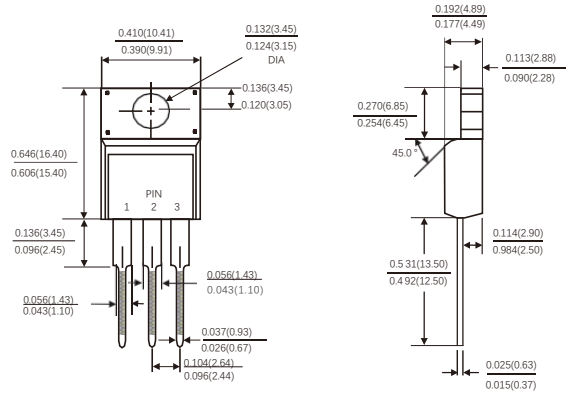
FIG.5-TYPICAL JUNCTION CAPACITANCE



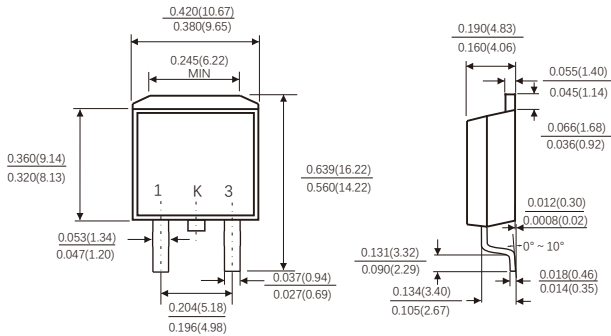
## TO-220AB



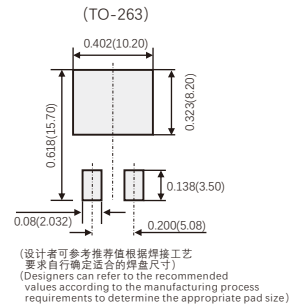
## ITO-220AB



## TO-263



## Suggested Pad Layout



Dimensions in inches and (millimeters)

## Friendship Reminder

- JiNan JingHeng (hereinafter referred to as JH) reserves the right to make changes to this document and its products and specifications at anytime without notice.
- Customers should obtain and confirm the latest product information and specifications before final design, purchase or use.
- JH makes no warranty, representation or guarantee regarding the suitability of its products for any particular purpose, nor does JH assume any liability for application assistance or customer product design.
- JH does not warrant or accept any liability with products which are purchased or used for any unintended or unauthorized application.
- No license is granted by implication or otherwise under any intellectual property rights of JH.
- JH's products are not authorized for use as critical components in life support devices or systems without express written approval of JH.