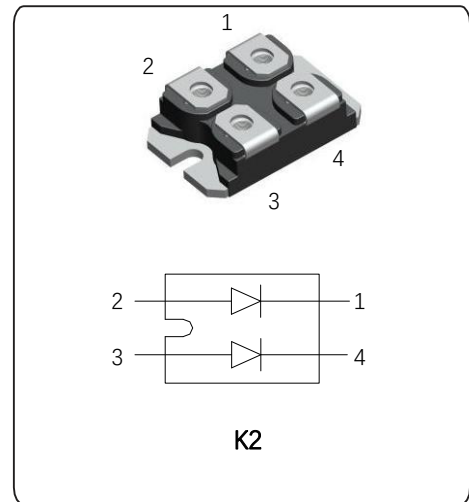


FEATURES

- International standard package SOT-227
- Fast switching for high efficiency
- Low forward voltage drop
- Single rectifier construction
- High surge capability
- Component in accordance to RoHS 2015/863/EU

SOT-227



MECHANICAL DATA

- Case: SOT-227
- Molding compound meets UL94V-0 flammability rating
- Polarity: As marked

TYPICAL APPLICATIONS

- Antiparallel diode for high frequency switching devices
- Antisaturation diode
- Snubber diode
- Free wheeling diode
- Rectifiers in switch mode power supplies (SMPS)
- Uninterruptible power supplies (UPS)

ABSOLUTE MAXIMUM RATINGS

Parameters	Symbol	Test conditions	Value	Unit
Maximum repetitive peak reverse voltage	V _{RRM}		1200	V
Maximum Continuous forward current, per diode	I _F	T _c ≤ 80°C	100	A
Single pulse forward current, per diode	I _{FSM}	T _c = 25°C	900	A
RMS isolation voltage	V _{iso}	Any terminal to case, t = 1S	3000	V
Maximum junction temperature	T _J		150	°C
Maximum reverse recovery time	T _{rr}	I _F = 0.5A, I _R = 1A, I _{RR} = 0.25A	150	nS
Maximum case temperature, Storage temperture	T _c , T _{stg}		-55 ~ 150	°C

ELECTRICAL CHARACTERISTICS

Parameters	Symbol	Test conditions	Min	Typ	Max	Units
Cathode to anode break down voltage	V _{BR}	I _R =100μA	1200	-	-	V
Forward voltage	V _F	I _F =100A T _J =25°C		1.82	2.30	
		I _F =100A T _J =125°C		-	2.10	
Reverse leakage current	I _R	V _R =V _{Rrated} T _J =25°C		-	50	uA
		V _R =V _{Rrated} T _J =150°C		-	500	
Total Capacitance	C _j	V _R =4V T _J =25°C, f=1MHz		440		pF

THERMAL MECHANICAL SPECIFICATIONS

Parameters	Symbol	Test conditions	Min	Typ	Max	Units
Junction to case, single leg conducting	R _{thjc}		-	-	0.50	°C/W
Junction to case, both leg conducting			-	-	0.25	
Case to heatsink	R _{thcs}	Flat, greased surface		0.10		
Weight				30		g
Mounting torque				1.3		Nm
Case style			SOT-227			

ORDERING INFORMATION TABLE

Device code	J	K2	F	200	-	120
	①	②	③	④		⑤

- ① JH 's power module
- ② Circuit configuration (2 separate diodes, parallel pin-out)
- ③ Fast Rectifier Diodes
- ④ Maximum average forward current (2×100A)
- ⑤ Voltage rating(120=1200V)

FIG.1-TYPRCAL FORWARD CURRENT DERATING CURVE

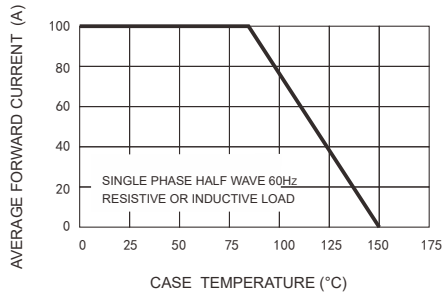


FIG.2-MAXIMUM NON-REPETITIVE FORWARD SURGE CURRENT

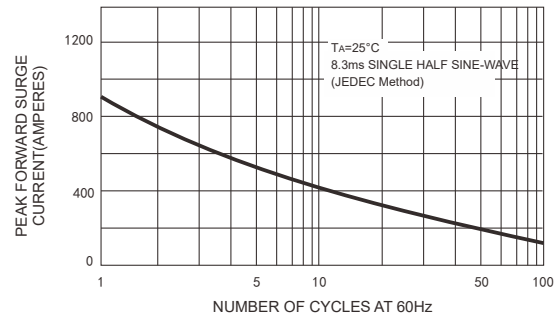


FIG4-TYPICAL FORWARD CHARACTERISTICS

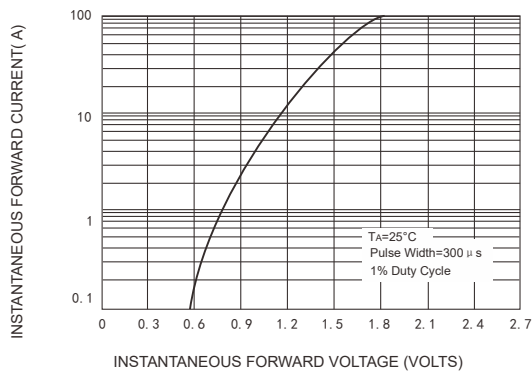
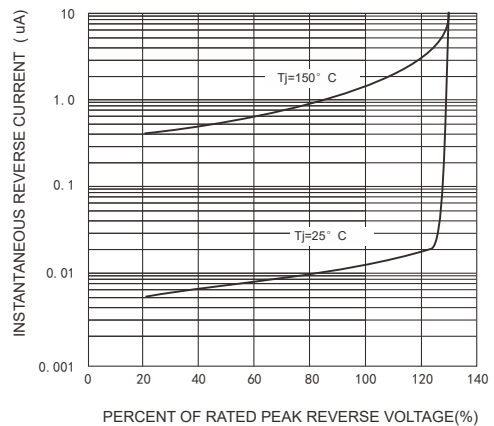
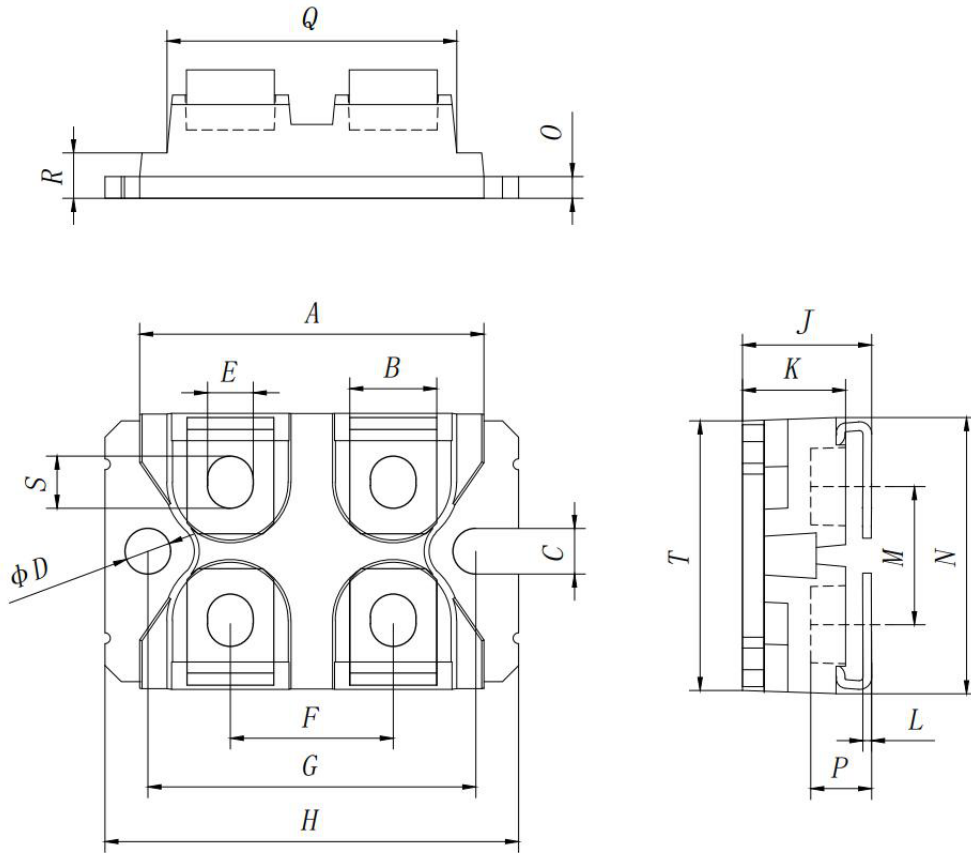


FIG.5-TYPICAL REVERSE CHARACTERISTICS



SOT-227package



SYMBOLS	DIMENSION IN MM		
	MIN	NOM	MAX
<i>A</i>	31.20	31.70	32.20
<i>B</i>	7.50	8.00	8.50
<i>C</i>	3.80	4.20	4.60
<i>D</i>	3.80	4.20	4.60
<i>E</i>	3.80	4.20	4.60
<i>F</i>	14.50	15.00	15.50
<i>G</i>	29.80	30.20	30.60
<i>H</i>	37.70	38.10	38.50
<i>J</i>	11.50	11.90	12.30
<i>K</i>	8.90	9.50	10.00
<i>L</i>	0.75	0.80	0.85
<i>M</i>	12.40	12.70	13.00
<i>N</i>	25.00	25.40	25.80
<i>O</i>	1.70	2.00	2.30
<i>P</i>	4.95	5.60	6.10
<i>Q</i>	26.40	26.70	27.00
<i>R</i>	3.90	4.18	4.45
<i>S</i>	4.20	4.80	5.40
<i>T</i>	23.80	24.80	25.80

Friendship Reminder

- JiNan JingHeng (hereinafter referred to as JH) reserves the right to make changes to this document and its products and specifications at anytime without notice.

- Customers should obtain and confirm the latest product information and specifications before final design, purchase or use.

- JH makes no warranty, representation or guarantee regarding the suitability of its products for any particular purpose, nor does JH assume any liability for application assistance or customer product design.

- JH does not warrant or accept any liability with products which are purchased or used for any unintended or unauthorized application.

- No license is granted by implication or otherwise under any intellectual property rights of JH.

- JH's products are not authorized for use as critical components in life support devices or systems without express written approval of JH.