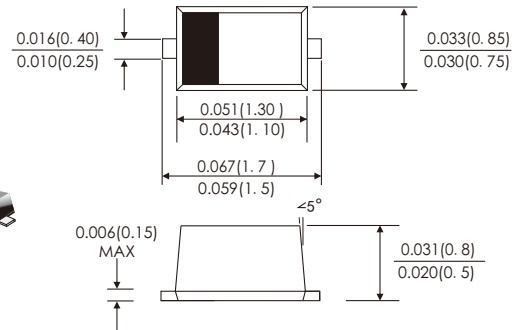


SOD-523

FEATURES

- Low Forward Voltage Drop
- High Current Capability
- High temperature soldering guaranteed: 260°C/10 seconds at terminals
- Component in accordance to RoHS 2011/65/EU



MECHANICAL DATA

- Case: SOD-523
- Polarity: Color band denotes cathode end
- Marking: JV

ABSOLUTE RATINGS(LIMITING VALUES)

Dimensions in inches and (millimeters)

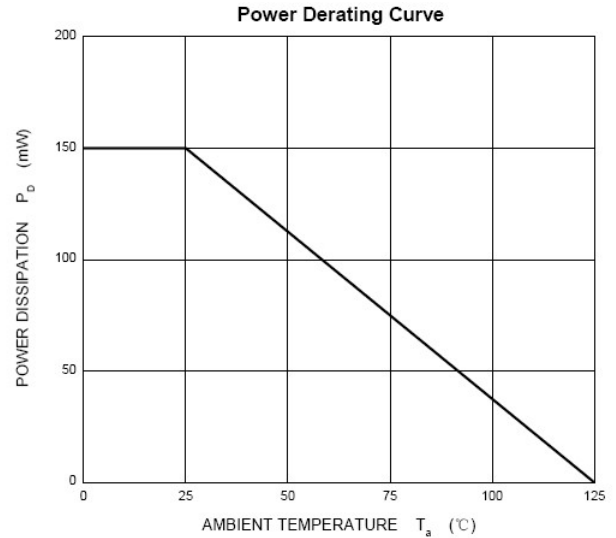
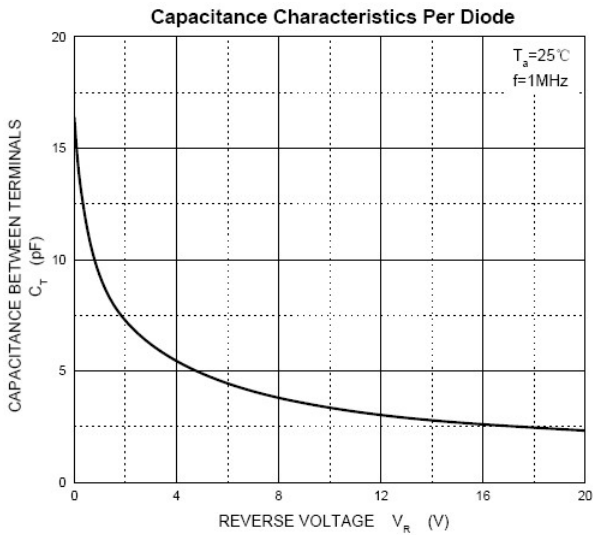
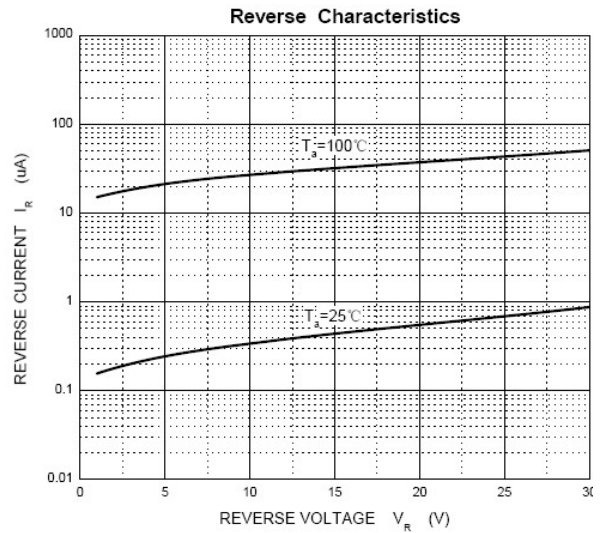
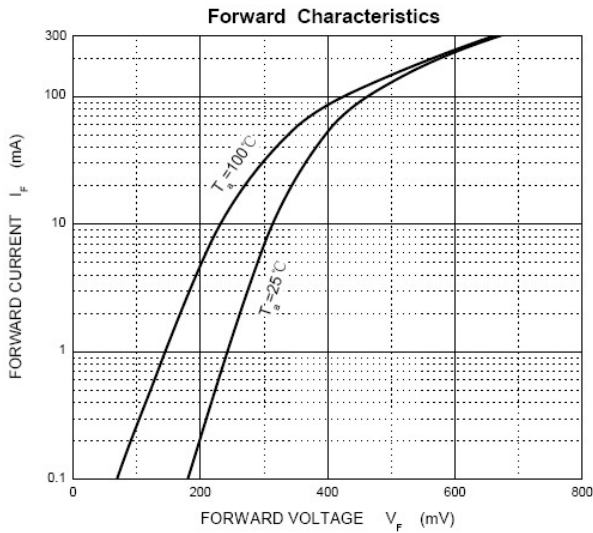
Parameters	Symbols	Value	Units
Continuous Reverse Voltage	V_R	30	V
Forward Continuous Current at $T_A=25^\circ\text{C}$	I_F	300	mA
Peak Forward Surge Current 8.3 ms single half sine-wave	I_{FSM}	600	mA
Power Dissipation	P_D	150	mW
Junction temperature	T_J	125	$^\circ\text{C}$
Ambient Operating temperature Range	T_A	-55 to +125	$^\circ\text{C}$
Storage Temperature Range	T_{STG}	-55 to +150	$^\circ\text{C}$
Typical thermal resistance	$R_{\theta JA}$	667	$^\circ\text{C}/\text{W}$

ELECTRICAL CHARACTERISTICS

Parameters	Symbols	Min.	Typ.	Max.	Units
Reverse breakdown voltage at $I_R=100\mu\text{A}$	$V_{(BR)R}$	30			V
Forward voltage					
at $I_F=0.1\text{mA}$,	V_F			0.240	V
at $I_F=1\text{mA}$,	V_F			0.320	V
at $I_F=10\text{mA}$,	V_F			0.400	V
at $I_F=30\text{mA}$,	V_F			0.500	V
at $I_F=100\text{mA}$	V_F			1.000	V
Leakage current $V_R=25\text{V}$	I_R			2.0	μA
Junction Capacitance at $V_R=1\text{V}$, $f=1\text{MHz}$	C_J			10	pF
Reverse recovery time Form $I_F=10\text{mA}$ $V_R=6\text{V}$ $I_R=10\text{mA}$	t_{rr}			5	ns

RATINGS AND CHARACTERISTIC CURVES BAT54WT

Typical Characteristics



Friendship Reminder

■ JiNan JingHeng (hereinafter referred to as JH) reserves the right to make changes to this document and its products and specifications at anytime without notice.

济南晶恒（以下简称 JH）保留未经通知，变更本文件和与本文件相关的产品及规格的权利。

■ Customers should obtain and confirm the latest product information and specifications before final design, purchase or use.

使用方应在使用、采购本产品之前获取并确认产品信息和规格书的最新版本。

■ JH makes no warranty, representation or guarantee regarding the suitability of its products for any particular purpose, nor does JH assume any liability for application assistance or customer product design.

JH 对其产品用于某特定用途的适用性，既不做任何保证、说明或担保，也不承担任何应用协助或使用方设计的法定责任。

■ JH does not warrant or accept any liability with products which are purchased or used for any unintended or unauthorized application.

JH 不保证或承担任何责任，其产品被采购使用于任何非预期或授权的应用，

■ No license is granted by implication or otherwise under any intellectual property rights of JH.

此规格书属于 JH 的知识产权,没有经过我司授权不得抄袭。

■ JH's products are not authorized for use as critical components in life support devices or systems without express written approval of JH.

没有 JH 的书面授权，JH 的产品不能在生命支撑设备或系统里作为关键零件使用。