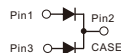


### FEATURES

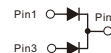
- Power pack
- Metal silicon junction ,majority carrier conduction
- Guard ring for overvoltage protection
- Low power loss ,high efficiency
- High current capability ,low forward voltage drop
- High forward surge capability
- High frequency operation
- Meets MSL Level 1, per J-STD-020, LF MAX peak of 245°C (for TO-263 package)
- Solder bath temperature 275°C maximum, 10s, per JESD22-B106 (for TO-220AB and ITO-220AB package)
- Component in accordance to RoHS 2011/65/EU



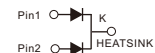
TO-220AB



ITO-220AB



TO-263  
SR6080LD1



### MECHANICAL DATA

- Case: JEDEC TO-220AB, ITO-220AB, TO-263
- Molding compound meets UL94V-0 flammability rating
- Terminals: Lead solderable per J-STD-002 and JESD22-B102
- Polarity: As marked
- Mounting Torque: 10 in-lbs maximum

### TYPICAL APPLICATIONS

For use in low voltage ,high frequency inverters ,DC/DC converters, free wheeling ,and polarity protection applications

### MAXIMUM RATINGS

(Ratings at 25°C ambient temperature unless otherwise specified )

Parameter	Symbol	Value	Unit
Maximum repetitive peak reverse voltage	V <sub>RRM</sub>	80	V
Maximum average forward rectified current (see fig.1)	Per leg	30	A
	Total device	60	
Peak forward surge current 8.3ms single half sine-wave superimposed on rated load (JEDEC method at rated TL)	I <sub>FSM</sub>	300	A
Peak repetitive reverse current per diode at tp=2 μs 1KHz	I <sub>RRM</sub>	2.0	A
Operating junction and Storage temperature range	T <sub>J</sub> , T <sub>stg</sub>	-55 to +150	°C
Isolation voltage (ITO-220AB only) from terminals to heatsink t=1 min	V <sub>AC</sub>	1500	V

PRIMARY CHARACTERISTICS	
I <sub>F</sub> (AV)	2×30A
V <sub>RRM</sub>	80V
I <sub>FSM</sub>	300A
V <sub>F</sub> at I <sub>F</sub> =30A, 125°C Per leg	0.59V Typ
I <sub>r</sub>	35 μ A Typ
T <sub>J</sub> (MAX)	150°C
Package	TO-220AB, ITO-220AB, TO-263
Diode variations	Common cathode

## RATINGS AND CHARACTERISTIC OF SR6080LCT,SRF6080LCT,SR6080LD1

### ELECTRICAL CHARACTERISTICS (T<sub>A</sub>=25°C Unless otherwise noted)

Parameter	Test Conditions		Symbol	Typ.	Max.	Unit
Instantaneous forward voltage	T <sub>A</sub> =25°C	I <sub>F</sub> =5.0A	V <sub>F</sub> <sup>1)</sup>	0.42	–	V
		I <sub>F</sub> =15.0A		0.51	–	
		I <sub>F</sub> =30.0A		0.61	0.65	
	T <sub>A</sub> =125°C	I <sub>F</sub> =5.0A		0.31	–	
		I <sub>F</sub> =15.0A		0.45	–	
		I <sub>F</sub> =30.0A		0.59	0.63	
Reverse current	V <sub>R</sub> =80V	T <sub>A</sub> =25°C	I <sub>R</sub> <sup>2)</sup>	35	100	μA
		T <sub>A</sub> =100°C		4.1	–	mA
		T <sub>A</sub> =125°C		20	60	
Typical junction capacitance	4V, 1MHz		C <sub>J</sub>	1500		pF

Notes: 1.Pulse test: 300 μs pulse width, 1% duty cycle

2.Pulse test: pulse width ≤ 40ms

### THERMAL CHARACTERISTICS

Parameter	Symbol	SR4080LCT	SRF4080LCT	SR4080LD1	Unit
Typical thermal resistance <sup>3)</sup>	R <sub>θJC</sub>	2.0	4.0	2.0	°C/W

3.Thermal resistance from junction to case

### AVAILABLE PACK INFORMATION

Product code	Pack	Box Size L×W×H(mm)	Quantity(pcs/box)	Carton SizeL×W×H(mm)	Quantity(box/carton)
SR6080LCT-TO-220AB	P/T	558×148×38	1000	565×225×170	5
SRF6080LCT-ITO-220AB	P/T	558×148×38	1000	565×225×170	5
SR6080LD1-TO-263	P/T	558×148×38	1000	565×225×170	5

# RATINGS AND CHARACTERISTIC OF SR6080LCT,SRF6080LCT,SR6080LD1

FIG.1-FORWARD CURRENT DERATING CURVE

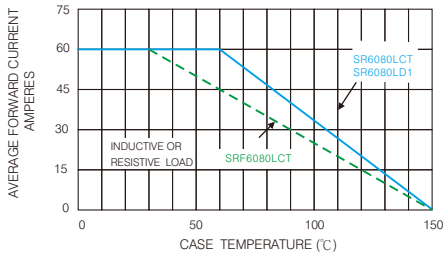


FIG.2-MAXIMUM NON-REPETITIVE PEAK FORWARD SURGE CURRENT

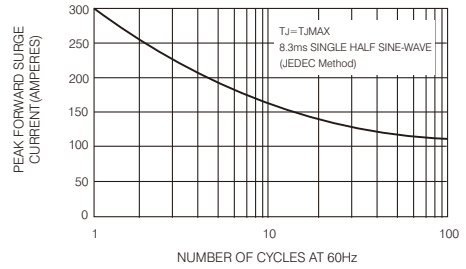


FIG.3-TYPICAL INSTANTANEOUS FORWARD CHARACTERISTICS

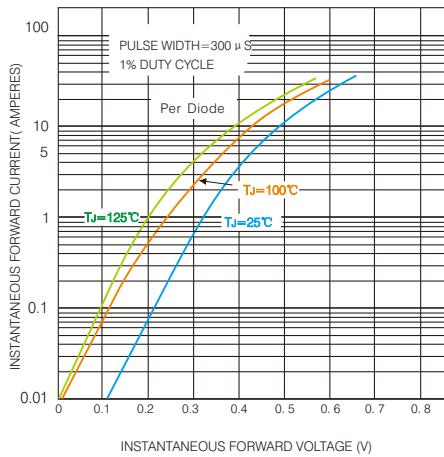


FIG.4-TYPICAL REVERSE CHARACTERISTICS

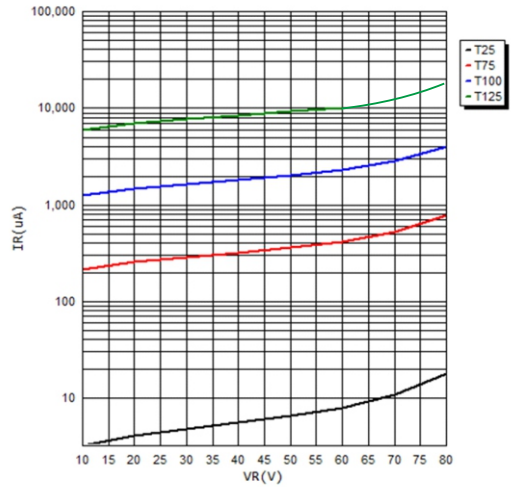
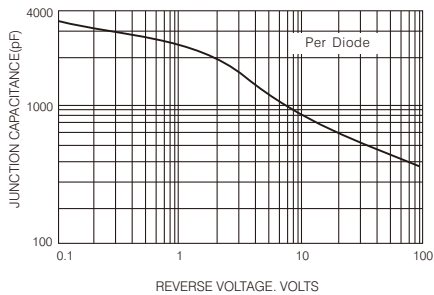
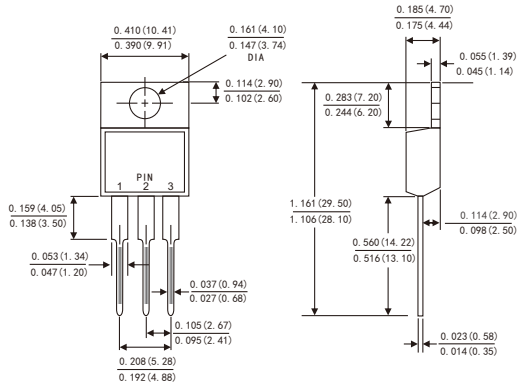


FIG.5-TYPICAL JUNCTION CAPACITANCE

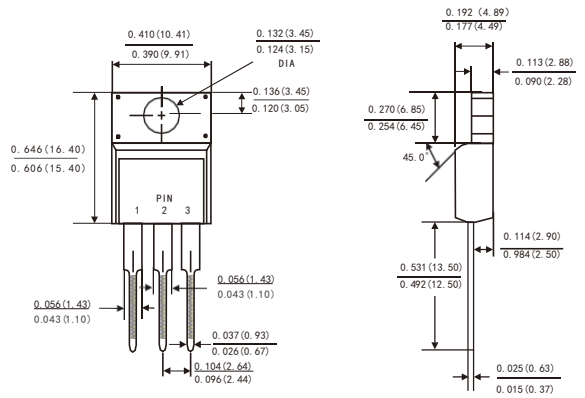


# PACKAGE OUTLINE DIMENSIONS

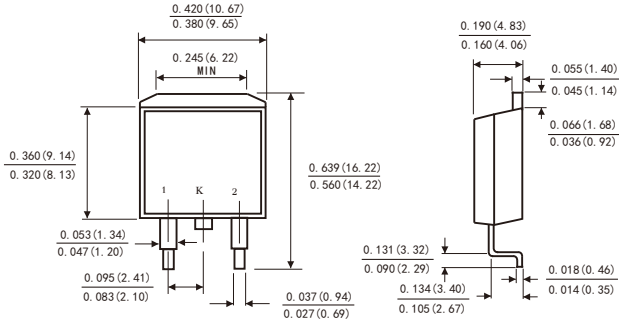
## TO-220AB



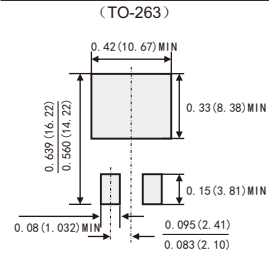
## ITO-220AB



## TO-263



## Suggested Pad Layout



Dimensions in inches and (millimeters)

## Friendship Reminder

- JiNan JingHeng ( hereinafter referred to as JH ) reserves the right to make changes to this document and its products and specifications at anytime without notice.  
济南晶恒（以下简称JH）保留，未经通知变更本文件和与本文件相关的产品及规格的权利。
- Customers should obtain and confirm the latest product information and specifications before final design, purchase or use.  
使用方应在使用、采购本产品之前获取并确认产品信息和规格书的最新版本。
- JH makes no warranty, representation or guarantee regarding the suitability of its products for any particular purpose, nor does JH assume any liability for application assistance or customer product design.  
JH对其产品用于某特定用途的适用性，既不做任何保证、说明或担保、也不承担任何应用协助或使用方设计的法定责任。
- JH does not warrant or accept any liability with products which are purchased or used for any unintended or unauthorized application.  
JH不保证或承担任何责任，其产品被采购使用于任何非预期或授权的应用。
- No license is granted by implication or otherwise under any intellectual property rights of JH.  
此规格书属于JH的知识产权，没有经过我司授权不得抄袭。
- JH's products are not authorized for use as critical components in life support devices or systems without express written approval of JH.  
没有JH的书面授权，JH的产品不能在生命支撑设备或系统里作为关键零件使用。