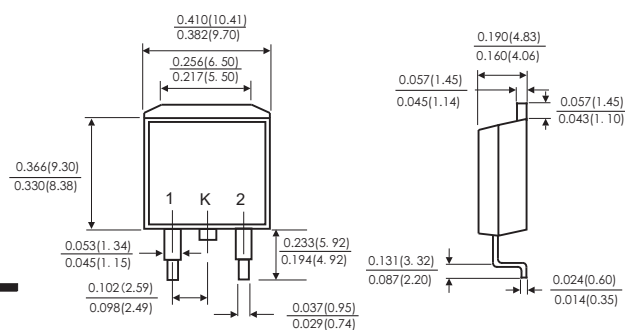


FEATURES

- Plastic package has Underwriters Laboratory Flammability Classification 94V-0
- Metal silicon junction ,majority carrier conduction
- Guard ring for overvoltage protection
- Low power loss ,high efficiency
- High current capability ,Low forward voltage drop
- Single rectifier construction
- High surge capability
- For use in low voltage ,high frequency inverters, free wheeling ,and polarity protection applications
- High temperature soldering guaranteed:260°C/10 seconds, 0.25"(6.35mm)from case
- Component in accordance to RoHS 2011/65/Eu



TO-263AC D2PAK



MECHANICAL DATA

- Case: JEDEC TO-263AC molded plastic body
- Terminals: Solderable per MIL-STD-202,method 208
- Polarity: As marked
- Mounting Position: Any

MAXIMUM RATINGS AND ELECTRICAL CHARACTERISTICS

(Ratings at 25°C ambient temperature unless otherwise specified ,Single phase ,half wave ,resistive or inductive load. For capacitive load,derate by 20%.)

	Symbols	SR3045	Units
Maximum repetitive peak reverse voltage	V_{RRM}	45	Volts
Maximum RMS voltage	V_{RMS}	32	Volts
Maximum DC blocking voltage	V_{DC}	45	Volts
Maximum average forward rectified current See Fig. 1	$I(AV)$	30.0	Amps
Peak forward surge current 8.3ms single half sine-wave superimposed on rated load (JEDEC method)	I_{FSM}	250.0	Amps
Maximum instantaneous forward voltage at 30.0 A	V_F	0.55	Volts
Maximum instantaneous reverse current (Note 1)	$T_c=25^{\circ}C \quad V_R=45V$	200	μA
	$T_c=100^{\circ}C \quad V_R=15V$	10	mA
Typical thermal resistance (Note 2)	$R_{\theta JC}$	3.0	$^{\circ}C/W$
Storage temperature range	T_{STG}	-55 to +200	$^{\circ}C$
Operating junction temperature range at reduced reverse voltage in DC forward model	T_J	$V_R \leq 80\% V_{RRM}$	-55 to +150
		$V_R \leq 50\% V_{RRM}$	-55 to +175
			-55 to +200

- Notes:**
- 1.Pulse test: 300 μs pulse width,1% duty cycle
 - 2.Thermal resistance from junction to case

RATINGS AND CHARACTERISTIC CURVES SR3045

FIG.1-FORWARD CURRENT DERATING CURVE

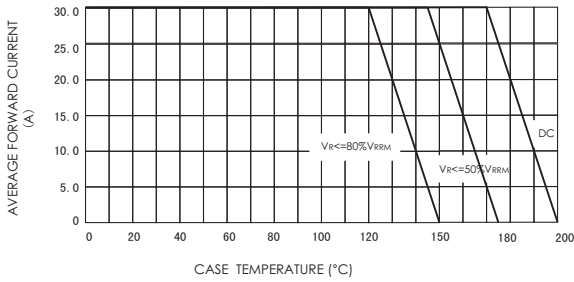


FIG.2-MAXIMUM NON-REPETITIVE PEAK FORWARD SURGE CURRENT

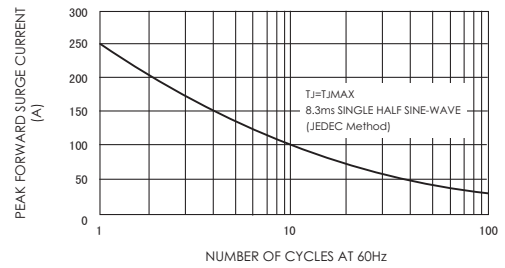


FIG.3-TYPICAL INSTANTANEOUS FORWARD CHARACTERISTICS

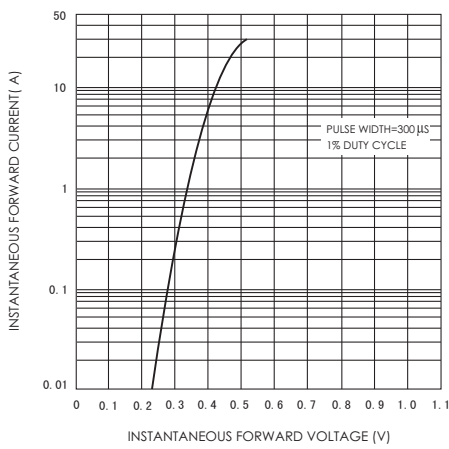


FIG.4-TYPICAL REVERSE CHARACTERISTICS

