

### General Description

These N-channel enhanced vdmofets used advanced trench technology design, provided excellent Rdson and low gate charge. Which accords with the RoHS standard.

### Features

- Fast switching
- Low on-resistance
- Low gate charge
- 100% avalanche tested

### Mechanical Data

- Case: TO-220, ITO-220, TO-263, TO-262, TO-251, TO-252 Package

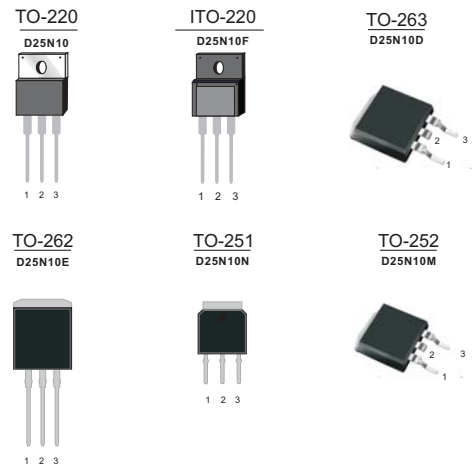
### Application

- Switching applications

### Ordering Information

Part No.	Package Type	Package	Quality(box)
D25N10	TO-220	Tube	1000
D25N10F	ITO-220	Tube	1000
D25N10D	TO-263	Tape & Reel	800
D25N10E	TO-262	Tube	1000
D25N10N	TO-251	Tube	1000
D25N10M	TO-252	Tape & Reel	3000

Product Summary			
V <sub>DS</sub>	R <sub>DS(on)</sub> (mΩ) Typ	I <sub>D</sub> (A)	Q <sub>g</sub> (Typ)
100V	30@10V	12	61nc



### Block Diagram

Pin Definition:

1. Gate
2. Drain
3. Source

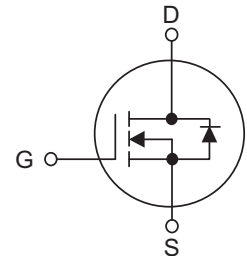


Table1 Absolute Maximum Ratings (T<sub>c</sub>=25°C, unless otherwise specified)

Parameter	Symbol	TO-220/TO-263/TO-262 TO-252/TO-251	ITO-220	Unit
Drain-Source Voltage	V <sub>DS</sub>	100		V
Gate-Source Voltage	V <sub>GS</sub>	±20		V
Continuous Drain Current	I <sub>D</sub>	T <sub>c</sub> =25°C	30	A
		T <sub>c</sub> =100°C	21	
Pulsed Drain Current (Note 1)	I <sub>DM</sub>	90		A
Single Pulse Avalanche Energy(Note 2)	E <sub>AS</sub>	36		mJ
Avalanche Current(Note 2)	I <sub>AS</sub>	12		A
Power Dissipation T <sub>c</sub> =25°C	P <sub>D</sub>	88	35	W
Isolation Voltage	V <sub>ISO</sub>	/	2500	V
Operating Junction and Storage Temperature	T <sub>J</sub> /T <sub>STG</sub>	-55 ~ +175		C

Table 2. Thermal Characteristics

Parameter	Symbol	TO-220/TO-263/TO-262 TO-252/TO-251	ITO-220	Unit
Thermal resistance Junction to Ambient	$R_{\theta JA}$	75	75	C/W
Thermal resistance Junction to Case	$R_{\theta JC}$	1.7	4.29	C/W

Table 3. Electrical Characteristics ( $T_J=25\text{ C}$ , unless otherwise specified)

Parameter	Symbol	Test Conditions	Min	Typ	Max	Unit
Off Characteristics						
Drain-Source Breakdown Voltage	$BV_{DSS}$	$V_{GS}=0V, I_D=250\mu A$	100			V
Drain-Source Leakage Current	$I_{DSS}$	$V_{DS}=100V, V_{GS}=0V$			1	$\mu A$
Gate- Source Leakage Current	Forward	$V_{GS}=20V, V_{DS}=0V$			100	nA
	Reverse	$V_{GS}=-20V, V_{DS}=0V$			-100	nA
On Characteristics(Note 4)						
Gate Threshold Voltage	$V_{GS(TH)}$	$V_{DS}=V_{GS}, I_D=250\mu A$	1.2		2.5	V
Static Drain-Source On-State Resistance	$R_{DS(ON)}$	$V_{GS}=10V, I_D=12A$		30	36	m $\Omega$
Dynamic Characteristics(Note 5)						
Input Capacitance	$C_{ISS}$	$V_{DS}=50V, V_{GS}=0V, f=1MHz$		3540		pF
Output Capacitance	$C_{OSS}$			107		pF
Reverse Transfer Capacitance	$C_{RSS}$			84		pF
Switching Characteristics (Note 5)						
Turn-On Delay Time	$t_d(on)$	$V_{DD}=30V, I_D=70A,$ $V_{GS}=10V, R_G=25\Omega$		28		ns
Turn-On Rise Time	$t_R$			89		ns
Turn-Off Delay Time	$t_d(off)$			98		ns
Turn-Off Fall Time	$t_f$			87		ns
Total Gate Charge	$Q_G$	$V_{DS}=50V, I_D=12A,$ $V_{GS}=10V, R_{GEN}=3\Omega$		61		nC
Gate-Source Charge	$Q_{GS}$			7.1		nC
Gate-Drain Charge	$Q_{GD}$			14		nC
Drain-Source Diode Characteristics and Maximum Ratings						
Drain-Source Diode Forward Voltage	$V_{SD}$	$V_{GS}=0V, I_S=12A$		0.8	1.2	V
Maximum Continuous Drain-Source Diode Forward Current	$I_S$				30	A
Reverse Recovery Time	$t_{rr}$	$V_{GS}=0V, I_F=12A$		50		ns
Reverse Recovery Charge	$Q_{RR}$	$dI_F/dt=100A/\mu s$		75		nC

Notes : 1 Repetitive Rating: Pulse width limited by maximum junction temperature

2  $L=0.5mH, I_D=34.7A, V_{DD}=50V, V_{GATE}=60V, Starting T_J=25^\circ C$

4 Pulse Test: Pulse width  $\leq 300\mu s$ , Duty cycle  $\leq 2\%$

5 Guaranteed by design, not subject to production

Typical Test Circuit

Figure 1. Typ. Output Characteristics

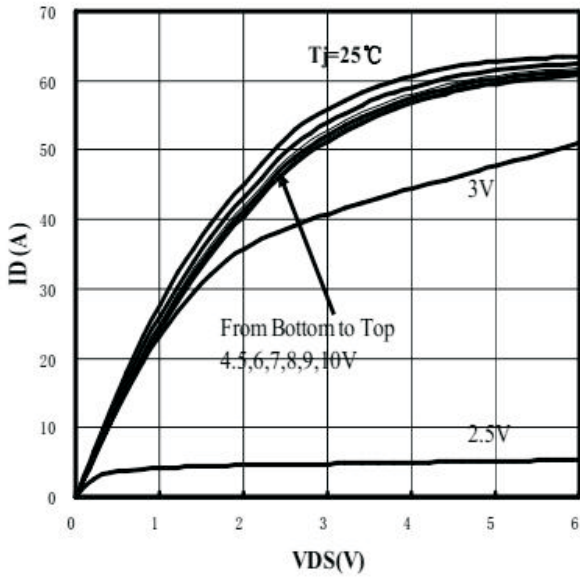


Figure 2. Typ. Output Characteristics

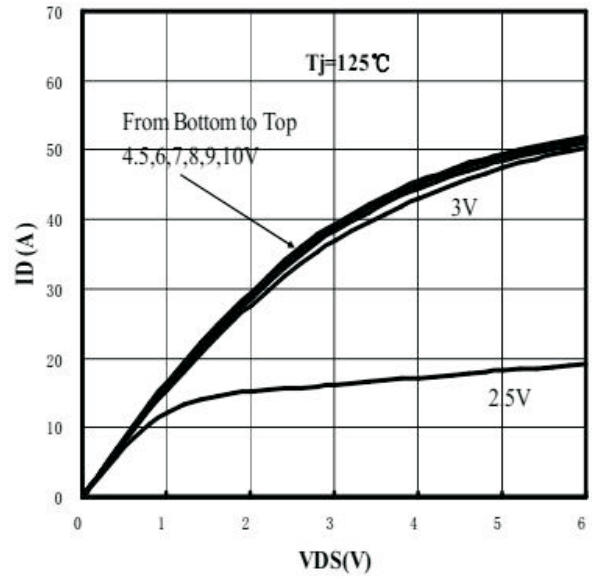


Figure 3. Transfer Characteristics

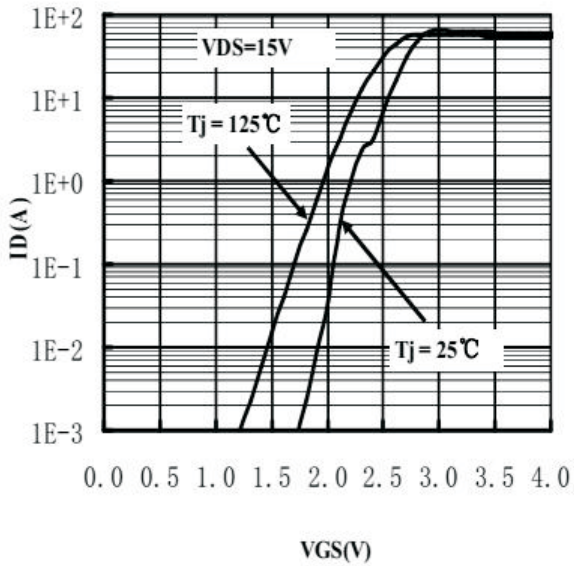
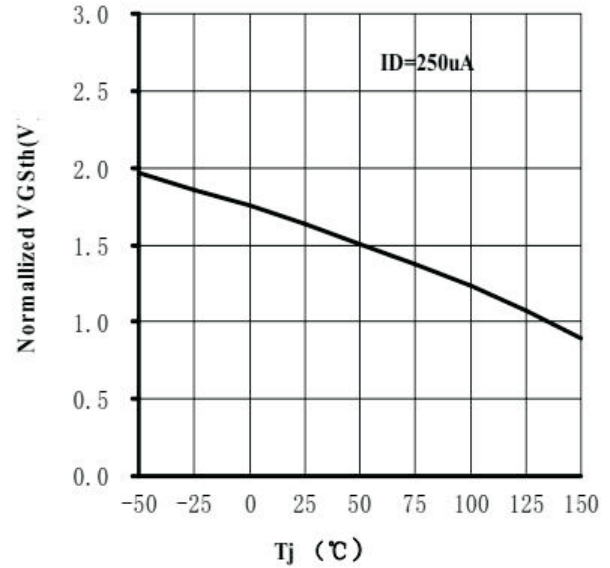


Figure 4. Gate Threshold Voltage Characteristics



Typical Test Circuit

Figure 5. Rdson vs. Drain Current Characteristics

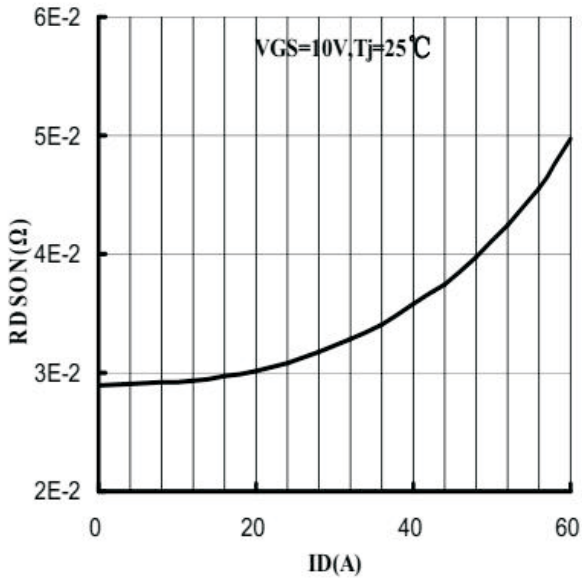


Figure 6. Rdson vs. Junction Tem Characteristics

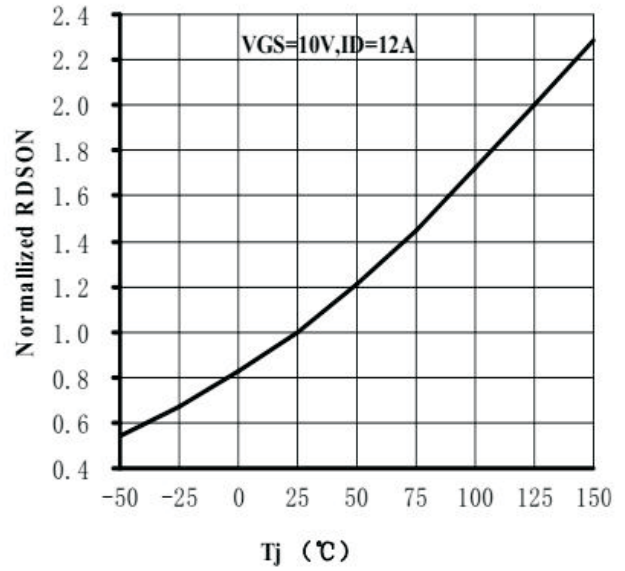


Figure 7. Rdson vs. VGS Characteristics

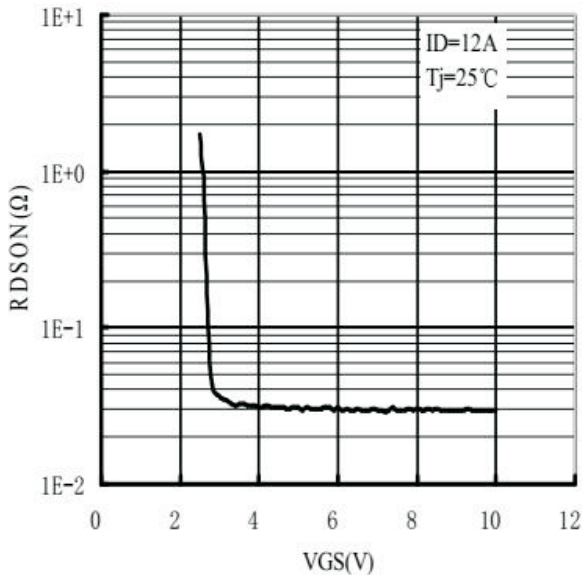
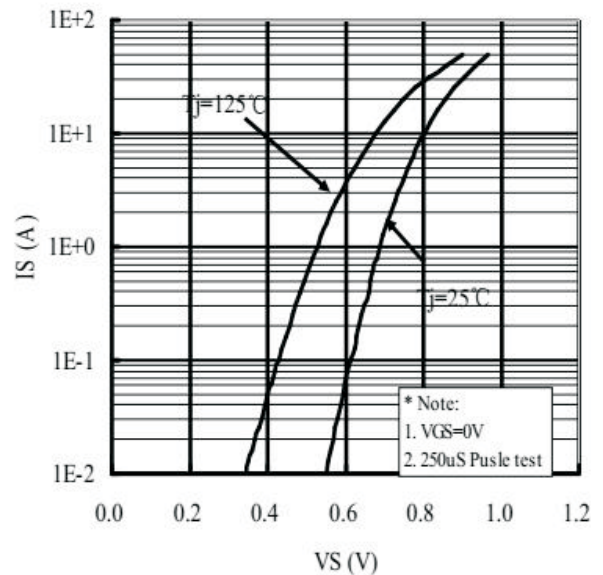


Figure 8. IS vs. VSD Characteristics



Typical Test Circuit

Figure 9. Gate Charge Characteristics

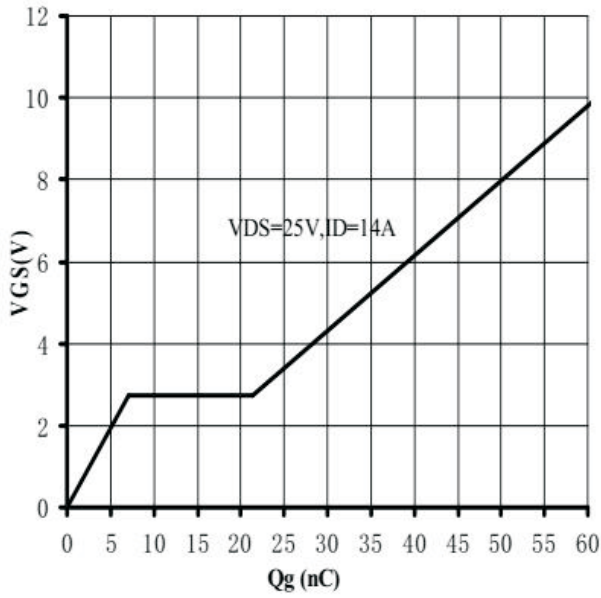


Figure 10. Capacitance Characteristics

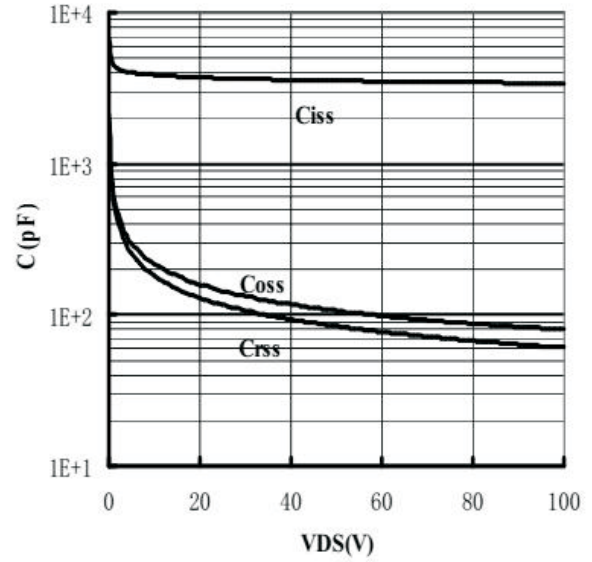
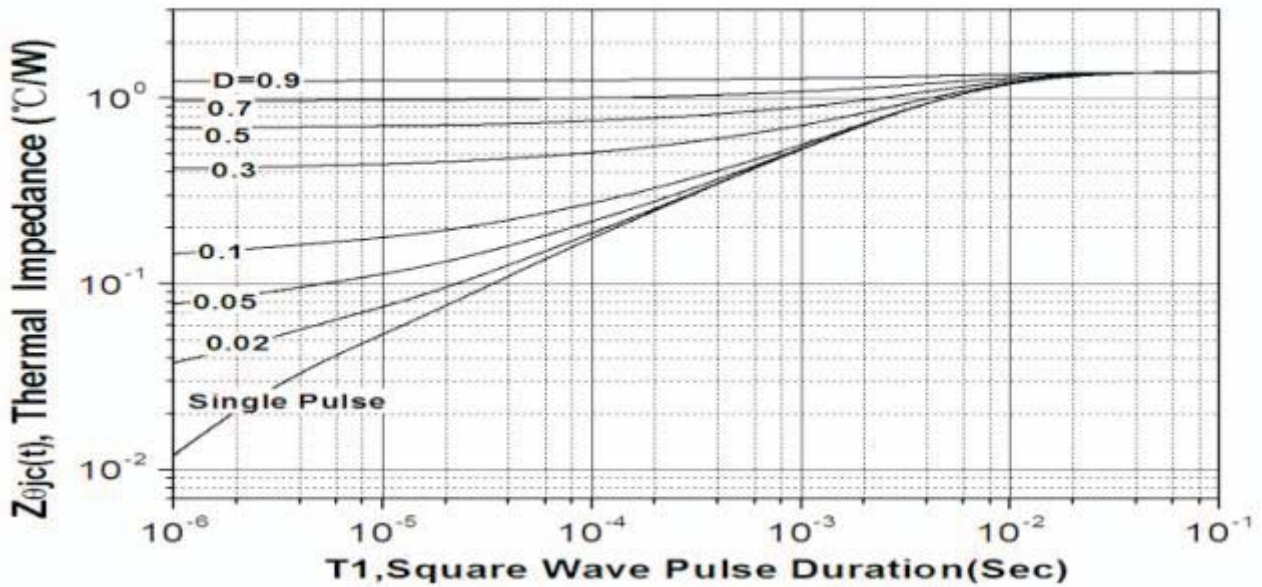
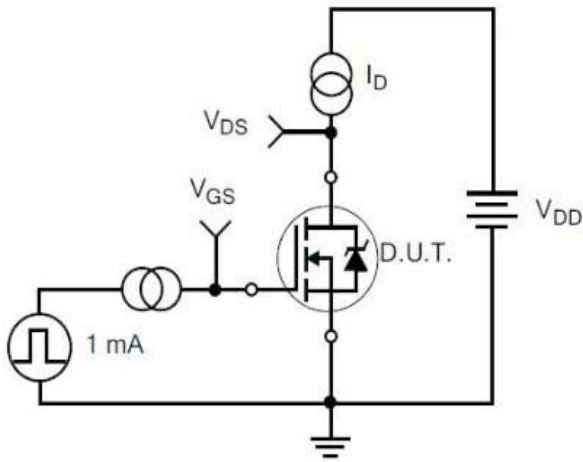


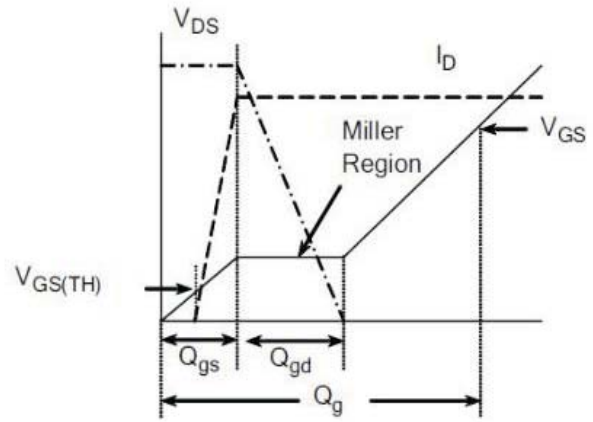
Figure 11. Thermal Resistance Characteristics



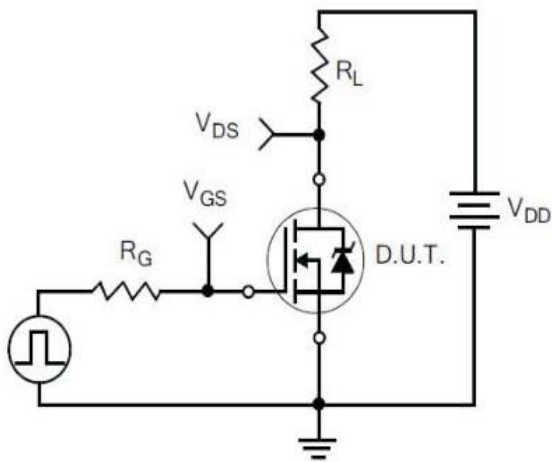
Typical Test Circuit



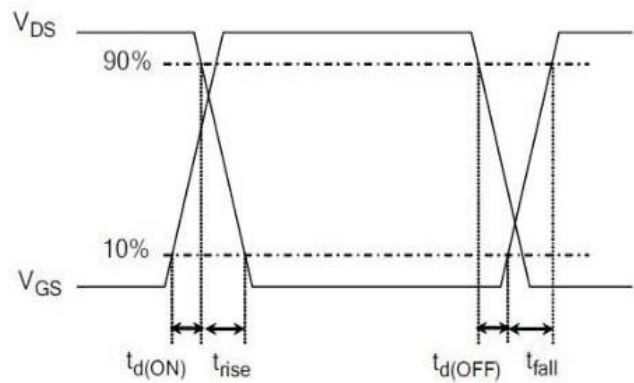
1) Gate Charge Test Circuit



2) Gate Charge Waveform

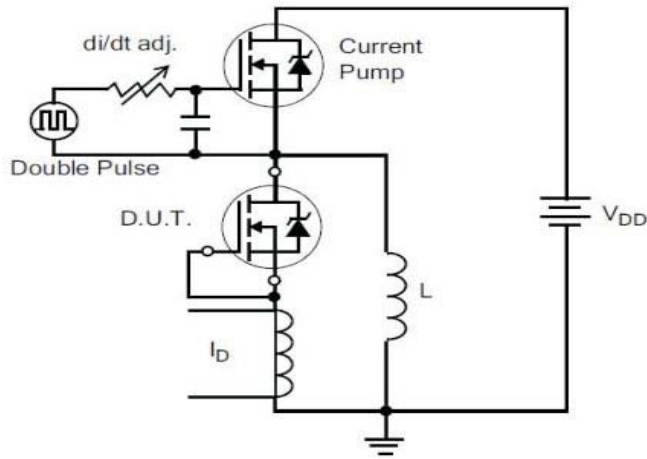


3) Resistive Switching Test Circuit

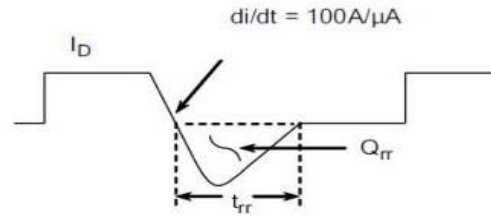


4) Resistive Switching Waveforms

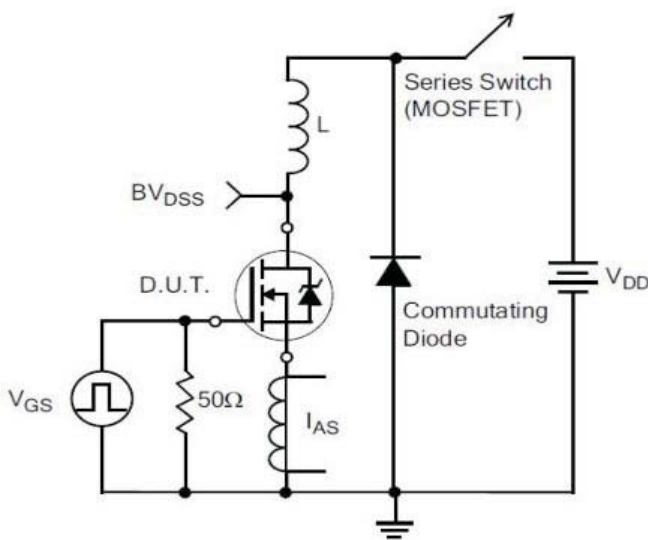
Typical Test Circuit



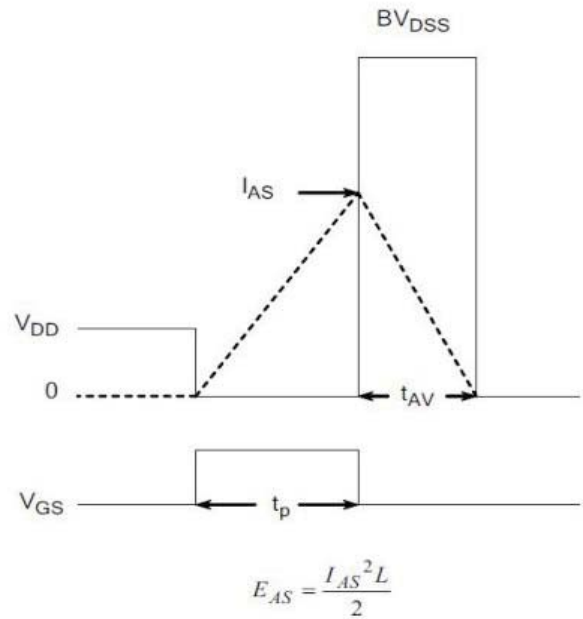
5) Diode Reverse Recovery Test Circuit



6) Diode Reverse Recovery Waveform

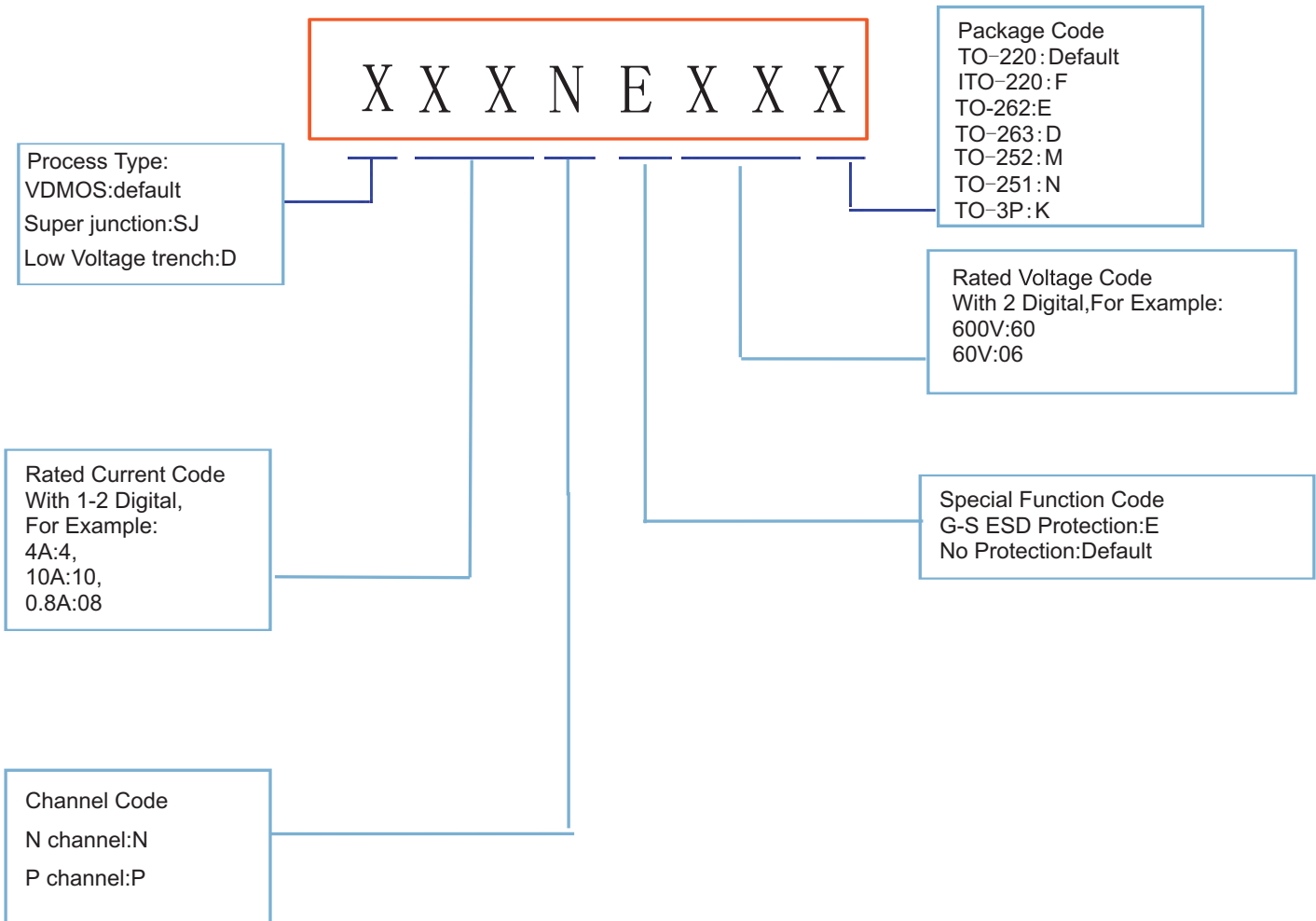


7) . Unclamped Inductive Switching Test Circuit



8) Unclamped Inductive Switching Waveforms

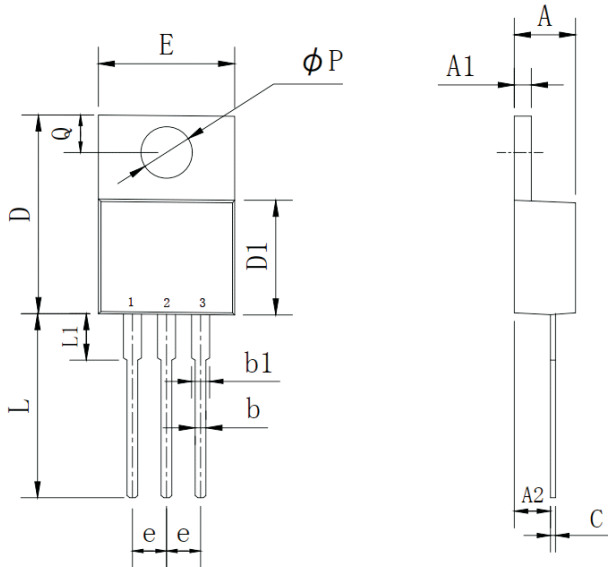
Product Names Rules





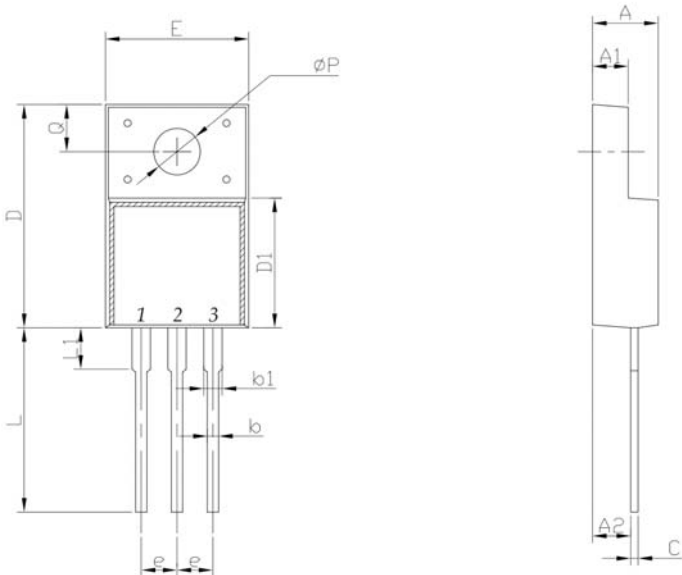
Dimensions

TO-220 PACKAGE OUTLINE DIMENSIONS



Symbol	Dimensions In Millimeters		Dimensions In Inches	
	MIN	MAX	MIN	MAX
A	4.25	4.87	0.167	0.192
A1	1.07	1.47	0.042	0.058
A2	2.03	2.92	0.080	0.115
b	0.51	1.11	0.020	0.044
b1	0.97	1.6	0.038	0.063
C	0.3	0.7	0.012	0.028
D	14.6	15.9	0.575	0.626
D1	8.04	9.3	0.317	0.366
E	9.57	10.57	0.377	0.416
e	2.34	2.74	0.092	0.108
L	12.58	14.3	0.495	0.563
L1	2.8	4.2	0.110	0.165
P	3.4	4.14	0.134	0.163
Q	2.45	3	0.096	0.118

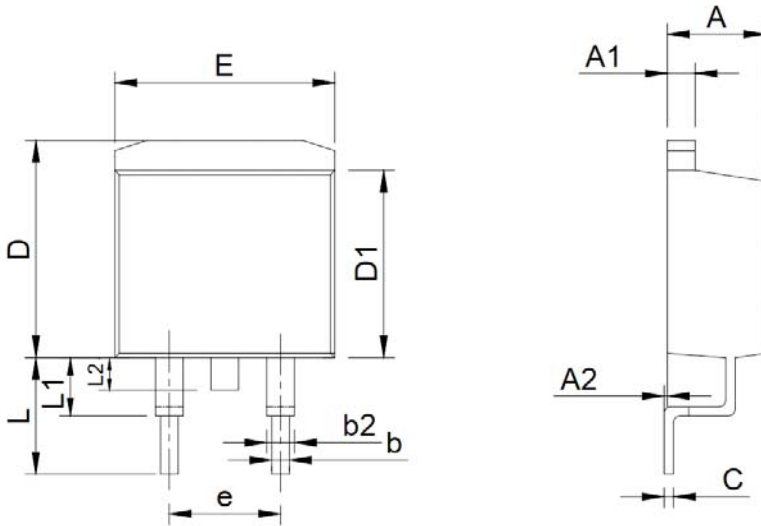
ITO-220 PACKAGE OUTLINE DIMENSIONS



Symbol	Dimensions In Millimeters		Dimensions In Inches	
	MIN	MAX	MIN	MAX
A	4.24	4.9	0.167	0.193
A1	2.3	2.92	0.091	0.115
A2	2.61	2.81	0.103	0.111
b	0.3	1	0.012	0.039
b1	0.9	1.55	0.035	0.061
C	0.3	0.7	0.012	0.028
D	14.5	16.36	0.571	0.644
D1	8.8	9.41	0.346	0.370
E	9.5	10.5	0.374	0.413
e	2.3	2.75	0.091	0.108
L	12.6	14	0.496	0.551
L1	2.45	4.3	0.096	0.169
P	2.9	3.8	0.114	0.150
Q	2.5	3.55	0.098	0.140

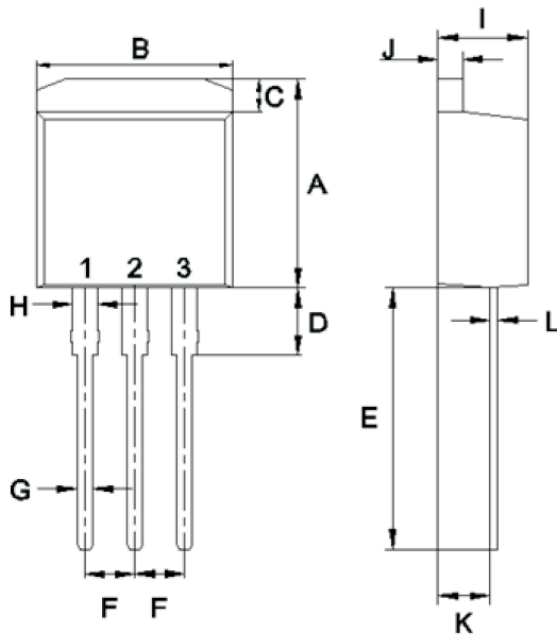
Dimensions

TO-263 PACKAGE OUTLINE DIMENSIONS



Symbol	Dimensions In Millimeters		Dimensions In Inches	
	MIN	MAX	MIN	MAX
A	4.25	4.87	0.167	0.192
A1	1.07	1.47	0.042	0.058
A2	0	0.25	0.000	0.010
b	0.61	1.01	0.024	0.040
b1	1.2	1.34	0.047	0.053
C	0.3	0.6	0.012	0.024
D	9.48	10.84	0.373	0.427
D1	8.49	9.3	0.334	0.366
E	9.7	10.31	0.382	0.406
e	4.88	5.28	0.192	0.208
L	4.46	5.85	0.176	0.230
L1	1.33	2.33	0.052	0.092
L2	0	2.2	0.000	0.087

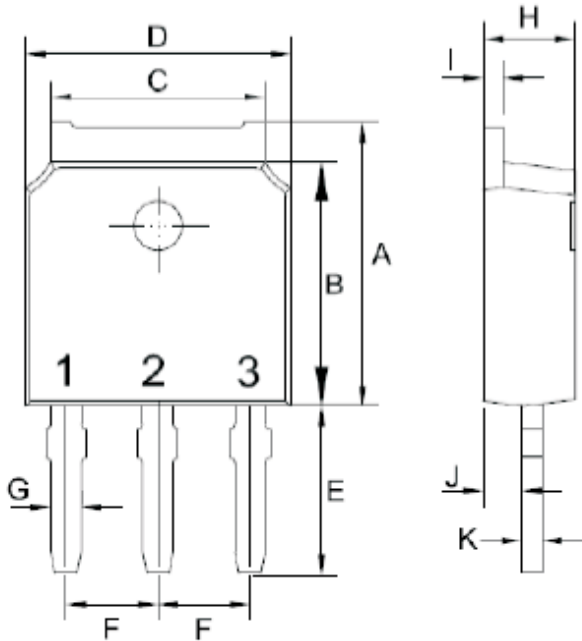
TO-262 PACKAGE OUTLINE DIMENSIONS



Symbol	Dimensions In Millimeters		Dimensions In Inches	
	MIN	MAX	MIN	MAX
A	10.14	11.14	0.399	0.439
B	9.57	10.57	0.377	0.416
C	1.15	1.84	0.045	0.072
D	2.95	3.95	0.116	0.156
E	12.25	13.75	0.482	0.541
F	2.34	2.74	0.092	0.108
G	0.51	1.11	0.020	0.044
H	0.97	1.57	0.038	0.062
I	4.25	4.87	0.167	0.192
J	1.07	1.47	0.042	0.058
K	2.03	2.92	0.080	0.115
L	0.3	0.6	0.012	0.024

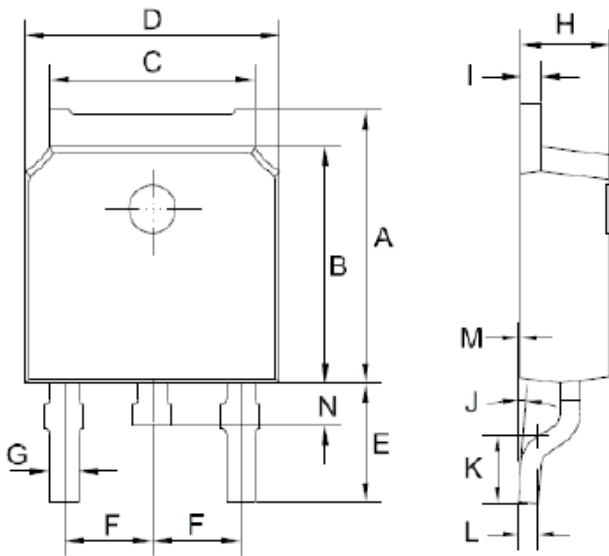
Dimensions

TO-251 PACKAGE OUTLINE DIMENSIONS



Symbol	Dimensions In Millimeters		Dimensions In Inches	
	MIN	MAX	MIN	MAX
A	6.85	7.25	0.270	0.285
B	5.8	6.3	0.228	0.248
C	5	5.53	0.197	0.218
D	6.3	6.8	0.248	0.268
E	3.5	4.35	0.138	0.171
F	2.19	2.39	0.086	0.094
G	0.45	0.85	0.018	0.033
H	2.2	2.4	0.087	0.094
I	0.41	0.61	0.016	0.024
J	0.71	1.31	0.028	0.052
K	0.41	0.61	0.016	0.024

TO-252 PACKAGE OUTLINE DIMENSIONS



Symbol	Dimensions In Millimeters		Dimensions In Inches	
	MIN	MAX	MIN	MAX
A	6.85	7.25	0.270	0.285
B	5.8	6.3	0.228	0.248
C	5	5.53	0.197	0.218
D	6.3	6.8	0.248	0.268
E	2.6	3.3	0.102	0.130
F	2.19	2.39	0.086	0.094
G	0.45	0.85	0.018	0.033
H	2.2	2.4	0.087	0.094
I	0.41	0.61	0.016	0.024
J	0	8	0	8
K	1.45	1.85	0.057	0.073
L	0.41	0.61	0.016	0.024
M	0	0.12	0.000	0.005
N	0.6	1	0.024	0.039

## Friendship Reminder

■ JiNan JingHeng ( hereinafter referred to as JH ) reserves the right to make changes to this document and its products and specifications at anytime without notice.

■ Customers should obtain and confirm the latest product information and specifications before final design, purchase or use.

■ JH makes no warranty, representation or guarantee regarding the suitability of its products for any particular purpose, nor does JH assume any liability for application assistance or customer product design.

■ JH does not warrant or accept any liability with products which are purchased or used for any unintended or unauthorized application.

■ No license is granted by implication or otherwise under any intellectual property rights of JH.

■ JH's products are not authorized for use as critical components in life support devices or systems without express written approval of JH.