

DESCRIPTION

SiC Schottky Diode has no switching loss, provides improved system efficiency against Si diodes by utilizing new semiconductor material-Silicon Carbide, enables higher operating frequency, and helps increasing power density and reduction of system size /cost. Its high reliability ensures robust operation during surge or over_voltage conditions.

FEATURES

- Max Junction Temperature 175° C
- High Surge Current Capacity
- Positive Temperature Coefficient
- Ease of Paralleling
- No Reverse Recovery/No Forward Recovery

MECHANICAL DATA

- Case: JEDEC TO-220AC/ITO-220AC/TO-263AC/TO-252AC
- Molding compound meets UL94V-0 flammability rating
- Terminals: Lead solderable per J-STD-002 and JESD22-B102
- Polarity: As marked
- Mounting Torque: 10 in-lbs maximum

TYPICAL APPLICATIONS

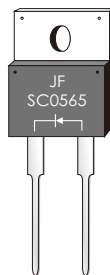
- General Purpose
- SMPS, Solar inverter, UPS
- Power Switching Circuits

KEY PERFORMANCE AND PACKAGE PARAMETERS

Type	V _{DC}	I _F	Qc	T _{J,max}	Package
Sc0565	650V	5A	18nC	175°C	TO-220AC
SC0565F	650V	5A	18nC	175°C	ITO-220AC
SC0565D2	650V	5A	18nC	175°C	TO-263AC
SC0565M2	650V	5A	18nC	175°C	TO-252AC

TO-220AC

Sc0565



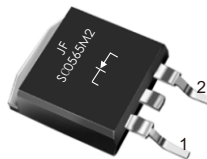
ITO-220AC

SC0565F



TO-252

SC0565M2



TO-263AC

SC0565D2



RATINGS AND CHARACTERISTIC OF SC0565XX

MAXIMUM RATINGS

(Ratings at 25° C ambient temperature unless otherwise specified)

Parameter	Symbol	Value	Unit
Maximum repetitive peak reverse voltage	V_{RRM}	650	V
Continuous Forward Current for $R_{th(j-c)}$	I_F	5 ($T_c \leq 156^\circ\text{C}$ TO-220/TO-263) 5 ($T_c \leq 135^\circ\text{C}$ TO-252/ITO-220)	A
Non-Repetitive Forward Surge Current (Half-Sine Pulse, $t_p=8.3\text{ms}$)	$I_{F,SM}$	60(25°C) 52(150°C)	A
I^2t value	$\int i^2t$	15 (25°C) 11.2 (150°C)	A^2S
Diode dv/dt ruggedness($V_R=0\dots650\text{V}$)	dv/dt	80	V/nS
Power dissipation for $R_{th(j-c,max)}$ ($T_c=25^\circ\text{C}$)	P_{tot}	125(TO-220/TO-263) 60(TO-252/ITO-220)	W
Operating junction temperature range	T_j	-55. ...175	$^\circ\text{C}$
Storage temperature range	T_{stg}	-55...175	$^\circ\text{C}$

THERMAL CHARACTERISTICS (TA=25° C Unless otherwise noted)

Parameter	Symbol	ITO-220AC	TO-220AC	TO-263AC	TO-252AC	Unit
Diode thermal resistance junction-case	$R_{th(j-c)}$	2.5	1.2	1.2	2.5	K/W

RATINGS AND CHARACTERISTIC OF SC0565XX

ELECTRICAL CHARACTERISTICS (T_A=25°C Unless otherwise noted)

Parameter	Symbol	Conditions	Value			Unit
			min	typ	max	
DC blocking voltage	V _{DC}	T _j =25...175°C	650			V
Diode forward voltage	V _F	IF=5A T _j =25°C IF=5A T _j =125°C IF=5A T _j =175°C		1.4 1.5 1.6	1.7 1.8 2.0	V
Reverse current	I _R	VR=650V T _j =25°C VR=650V T _j =125°C VR=650V T _j =175°C			20 70 100	uA

DYNAMIC CHARACTERISTICS(at T_j=25°C, unless otherwise specified)

Parameter	Symbol	conditions	Value			Unit
			min	typ	max	
Total capacitive charge	Q _c	VR=650V, IF=10A di/dt=200A/uS T _j =25°C		18		nC
Total capacitance	C	V _R =0V, f=1MHz V _R =200V, f=1MHz V _R =400V, f=1MHz T _j =25°C		300 34 30		pF

RATINGS AND CHARACTERISTIC OF SC0565XX

FIG.1-FORWARD CURRENT DERATING CURVE

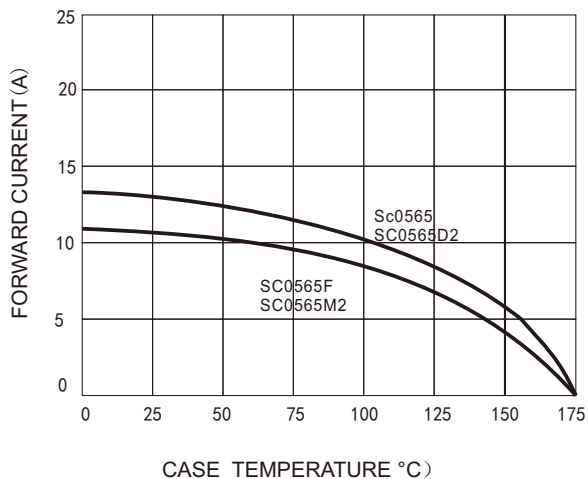


FIG.2-TYPICAL JUNCTION CAPACITANCE

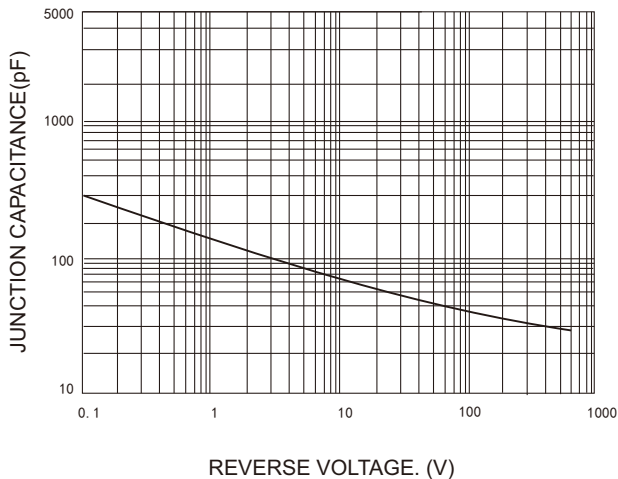


FIG.3-FORWARD CHARACTERISTICS

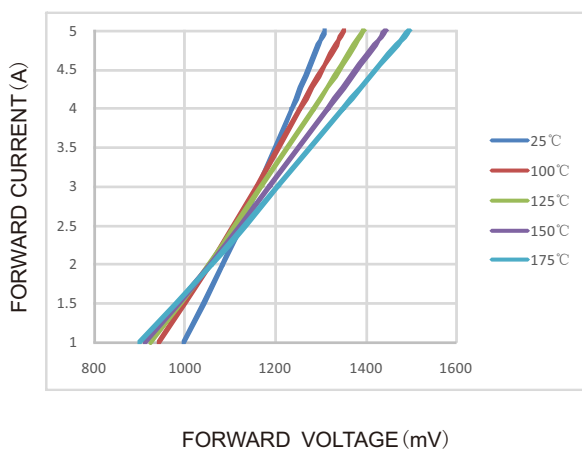
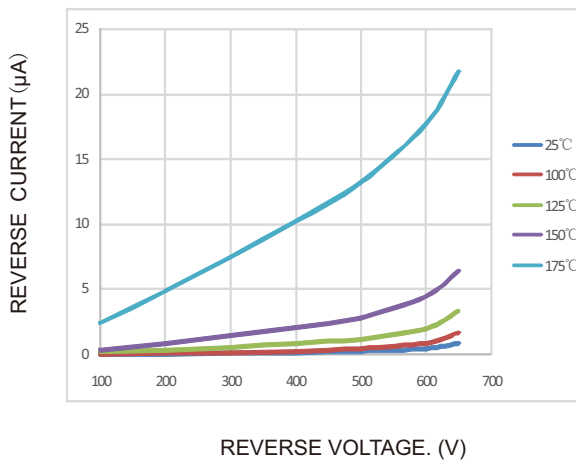
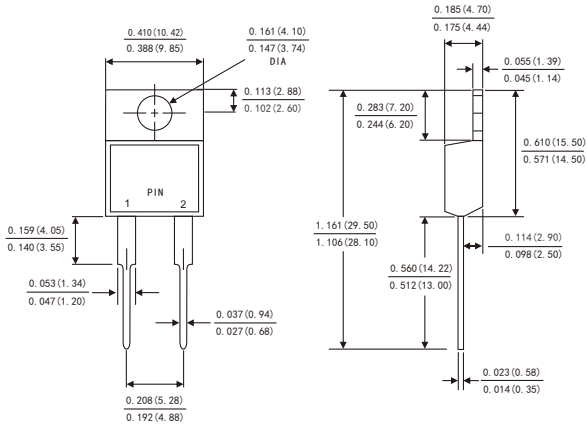


FIG.4-REVERSE CHARACTERISTICS



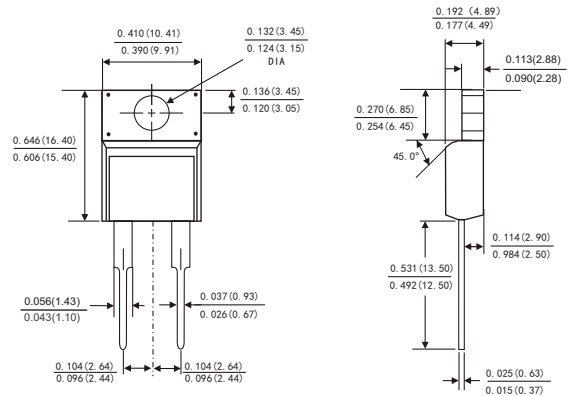
PACKAGE OUTLINE DIMENSIONS

TO-220AC



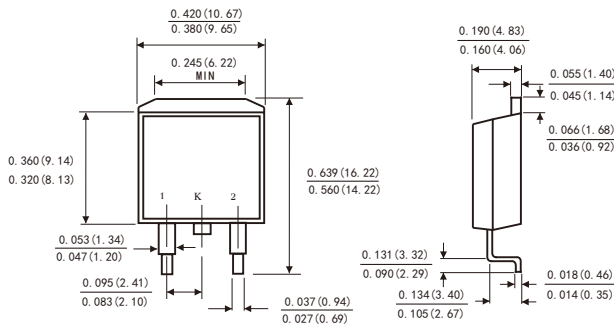
Dimensions in inches and (millimeters)

ITO-220AC



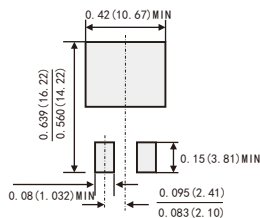
Dimensions in inches and (millimeters)

TO-263

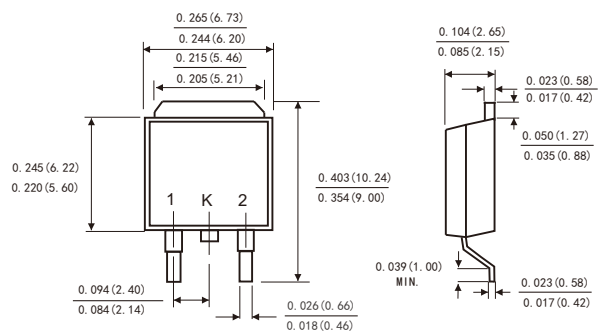


Suggested Pad Layout

(TO-263)

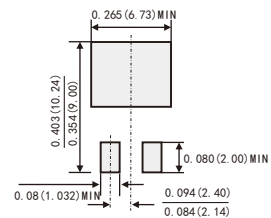


TO-252



Suggested Pad Layout

(TO-252)



Friendship Reminder

■ JiNan JingHeng (hereinafter referred to as JH) reserves the right to make changes to this document and its products and specifications at anytime without notice.

■ Customers should obtain and confirm the latest product information and specifications before final design, purchase or use.

■ JH makes no warranty, representation or guarantee regarding the suitability of its products for any particular purpose, nor does JH assume any liability for application assistance or customer product design.

■ JH does not warrant or accept any liability with products which are purchased or used for any unintended or unauthorized application.

■ No license is granted by implication or otherwise under any intellectual property rights of JH.

■ JH's products are not authorized for use as critical components in life support devices or systems without express written approval of JH.