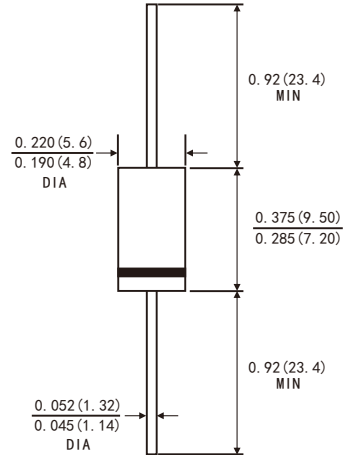


FEATURES

- Plastic package has Underwriters Laboratory Flammability Classification 94V-0
- Metal silicon junction ,majority carrier conduction
- Guard ring for overvoltage protection
- Low power loss ,high efficiency
- High current capability ,Low forward voltage drop
- High surge capability
- For use in low voltage ,high frequency inverters, free wheeling ,and polarity protection applications
- High temperature soldering guaranteed:260°C/10 seconds at terminals
- Component in accordance to RoHS 2011/65/EU



DO-201AD



Dimensions in inches and (millimeters)

MECHANICAL DATA

- Case: JEDEC DO-201AD molded plastic body
- Terminals: Plated axial leads, solderable per MIL-STD-750,method 2026
- Polarity: Color band denotes cathode end
- Mounting Position: Any
- Weight: 0.041ounce, 1.15 grams

MAXIMUM RATINGS AND ELECTRICAL CHARACTERISTICS

(Ratings at 25°C ambient temperature unless otherwise specified ,Single phase ,half wave ,resistive or inductive load. For capacitive load,derate by 20%.)

Parameters	Symbols	SR 320	SR 330	SR 340	SR 360	SR 3100	SR 3150	SR 3200	Units	
Maximum repetitive peak reverse voltage	V_{RRM}	20	30	40	60	100	150	200	Volts	
Maximum RMS voltage	V_{RMS}	14	21	28	42	70	105	140	Volts	
Maximum DC blocking voltage	V_{DC}	20	30	40	60	100	150	200	Volts	
Maximum average forward rectified current (See Fig.1)	$I_{(AV)}$	3.0							Amps	
Peak forward surge current 8.3ms single half sine-wave superimposed on rated load (JEDEC method)	I_{FSM}	80.0							Amps	
Maximum instantaneous forward voltage at 3.0 A(Note 1)	V_F	0.55			0.70	0.85	0.90	0.95	Volts	
Maximum instantaneous reverse current at rated DC blocking voltage(Note 1)	$T_A=25^{\circ}C$	100					20		μA	
	$T_A=100^{\circ}C$	5					-		mA	
	$T_A=125^{\circ}C$	-					3			
Typical junction capacitance(Note 3)	C_J	250				160			pF	
Typical thermal resistance (Note 2)	$R_{\theta JA}$	40.0								$^{\circ}C/W$
	$R_{\theta JL}$	10.0								
Operating junction temperature range	T_J	-55 to+150							$^{\circ}C$	
Storage temperature range	T_{STG}	-55 to+150							$^{\circ}C$	

Notes: 1.Pulse test: 300 μs pulse width,1% duty cycle

2.Thermal resistance from junction to lead vertical P.C.B. mounted , 0.5"(12.7mm)lead length with 2.5X2.5"(63.5X63.5mm)copper pads

3.Measured at 1MHz and reverse voltage of 4.0volts

RATINGS AND CHARACTERISTIC CURVES SR320 THRU SR3200

FIG.1-FORWARD CURRENT DERATING CURVE

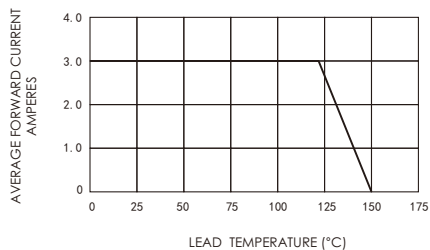


FIG.2-MAXIMUM NON-REPETITIVE PEAK FORWARD SURGE CURRENT

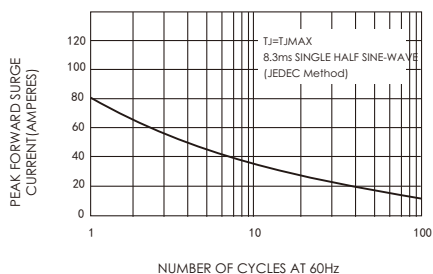


FIG.3-TYPICAL INSTANTANEOUS FORWARD CHARACTERISTICS

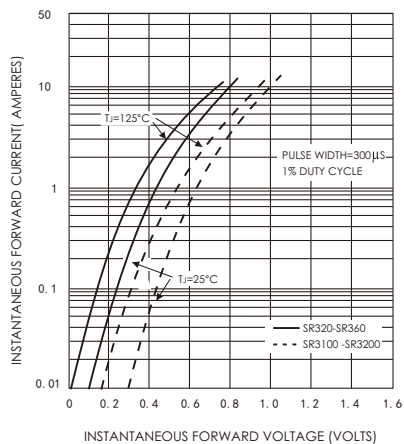


FIG.4-TYPICAL REVERSE CHARACTERISTICS

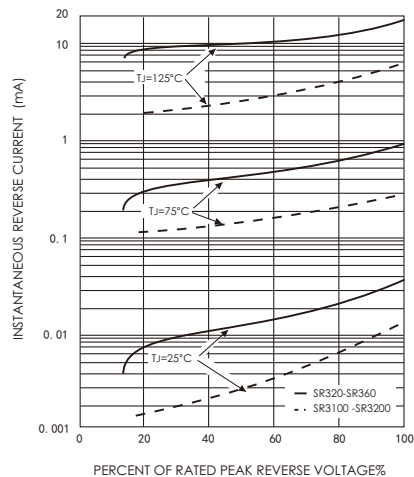


FIG.5-TYPICAL JUNCTION CAPACITANCE

