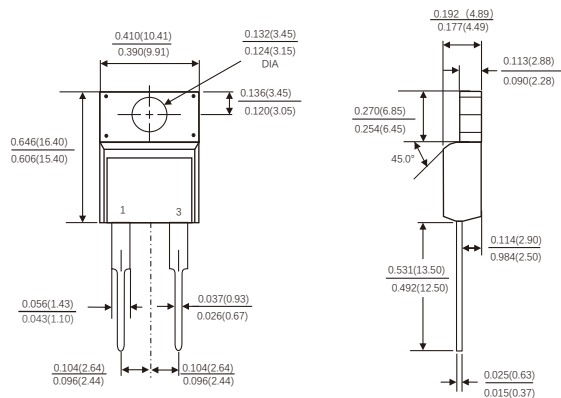


FEATURES

- Plastic package has Underwriters Laboratory Flammability Classification 94V-0
- Fast switching for high efficiency
- Low forward voltage drop
- Single rectifier construction
- High surge capability
- For use in low voltage ,high frequency inverters, free wheeling ,and polarity protection applications
- High temperature soldering guaranteed:260°C/10 seconds, 0.25"(6.35mm)from case
- Component in accordance to RoHS 2015/863/EU



ITO-220AC



MECHANICAL DATA

- Case: JEDEC ITO-220AC molded plastic body
- Terminals: Lead solderable per MIL-STD-750,method 2026
- Polarity: As marked
- Mounting Position: Any

MAXIMUM RATINGS AND ELECTRICAL CHARACTERISTICS

(Ratings at 25°C ambient temperature unless otherwise specified ,Single phase ,half wave ,resistive or inductive load. For capacitive load,derate by 20%.)

Parameter	Symbols	MURF1560	Units
Maximum repetitive peak reverse voltage	V_{RRM}	600	Volts
Maximum RMS voltage	V_{RMS}	420	Volts
Maximum DC blocking voltage	V_{DC}	600	Volts
Maximum average forward rectified current(see Fig.1)	$I_{(AV)}$	15.0	Amps
Peak forward surge current 8.3ms single half sine-wave superimposed on rated load (JEDEC method)	I_{FSM}	180	Amps
Maximum instantaneous forward voltage at 15.0 A(Note 1)	V_F	1.7	Volts
Maximum instantaneous reverse current at rated DC blocking voltage(Note 1)	$T_j = 25^\circ\text{C}$	5	μA
	$T_j = 125^\circ\text{C}$	50	
Maximum Reverse Recovery Time (Note 2)	t_{rr}	40	ns
Typical thermal resistance (Note 3)	$R_{\theta JC}$	3.0	$^\circ\text{C/W}$
Operating junction temperature range	T_j	-55 to+150	$^\circ\text{C}$
Storage temperature range	T_{STG}	-55 to+150	$^\circ\text{C}$

- Notes: 1. Pulse test: 300 μs pulse width,1% duty cycle
2. Reverse recovery test conditions $I_F=0.5\text{A},I_R=1.0\text{A},I_{rr}=0.25\text{A}$
3. Thermal resistance from junction to case

FIG.1-FORWARD CURRENT DERATING CURVE

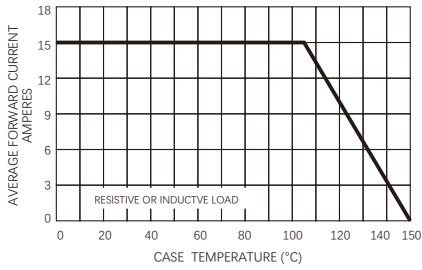


FIG.2-MAXIMUM NON-REPETITIVE PEAK FORWARD SURGE CURRENT

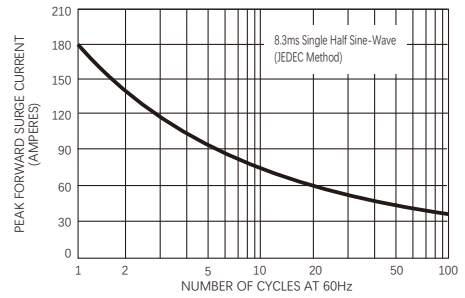


FIG.3-TYPICAL INSTANTANEOUS FORWARD CHARACTERISTICS

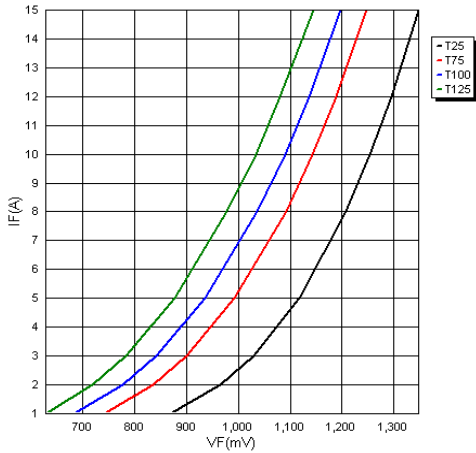
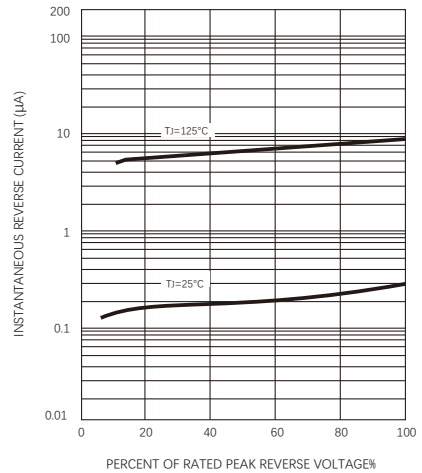


FIG.4-TYPICAL REVERSE CHARACTERISTICS



Friendship Reminder

- JiNan JingHeng (hereinafter referred to as JH) reserves the right to make changes to this document and its products and specifications at anytime without notice.
- Customers should obtain and confirm the latest product information and specifications before final design, purchase or use.
- JH makes no warranty, representation or guarantee regarding the suitability of its products for any particular purpose, nor does JH assume any liability for application assistance or customer product design.
- JH does not warrant or accept any liability with products which are purchased or used for any unintended or unauthorized application.
- No license is granted by implication or otherwise under any intellectual property rights of JH.
- JH' s products are not authorized for use as critical components in life support devices or systems without express written approval of JH.