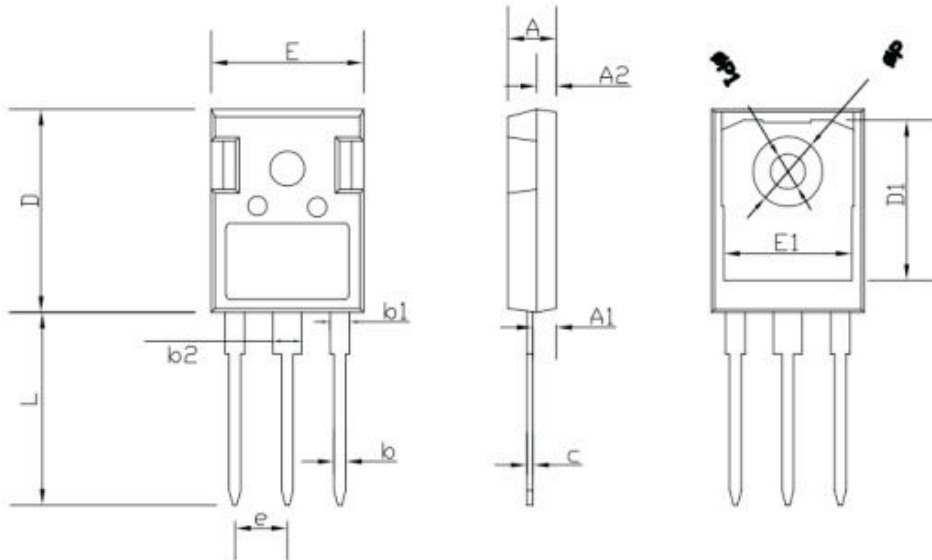


SJ47N60PR

TO-247 PACKAGE OUTLINE DIMENSIONS



Symbol	Dimensions In Millimeters		Dimensions In Inches	
	min.	max.	min.	max.
A	4.90	5.10	0.193	0.201
A1	2.31	2.51	0.091	0.099
A2	1.90	2.10	0.075	0.083
b	1.16	1.26	0.046	0.050
b1	1.96	2.06	0.0772	0.0812
b2	2.96	3.06	0.117	0.121
c	0.59	0.66	0.0232	0.0260
D	20.90	21.10	0.8235	0.8313
D1	16.25	16.85	0.6403	0.6639
E	15.70	15.90	0.6186	0.6265
E1	13.10	13.50	0.5161	0.5319
e	5.44		0.2143	
L	19.80	20.10	0.7801	0.7919
ΦP	3.50	3.70	0.1379	0.1458
ΦP1	0	7.30	0	0.2876

Friendship Reminder

■ JiNan JingHeng (hereinafter referred to as JH) reserves the right to make changes to this document and its products and specifications at anytime without notice.

■ Customers should obtain and confirm the latest product information and specifications before final design, purchase or use.

■ JH makes no warranty, representation or guarantee regarding the suitability of its products for any particular purpose, nor does JH assume any liability for application assistance or customer product design.

■ JH does not warrant or accept any liability with products which are purchased or used for any unintended or unauthorized application.

■ No license is granted by implication or otherwise under any intellectual property rights of JH.

■ JH's products are not authorized for use as critical components in life support devices or systems without express written approval of JH.