

- ◇ Low Forward Voltage Schottky Rectifier
- ◇ SOD-323FL ThinSMD package (Fig -1)
- ◇ RoHS compliant
- ◇ UL 94 V-0 / Green EMC
- ◇ Matte Tin (Sn) Lead finish
- ◇ Moisture Level Sensitivity 1
- ◇ Cathode Band / Device marking

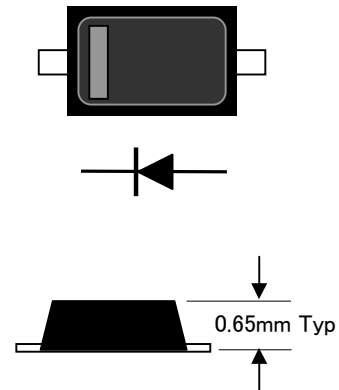


Fig.-1 Package SOD-323FL

Maximum Ratings (Ta = 25 °C)

Symbol	Parameter	Value	Units
V_{RRM}	Repetitive Peak Reverse Voltage	30	V
V_R	DC Blocking Voltage	20	V
I_o	Continuous Forward Current	500	mA
I_{FSM}	Non-Repetitive Peak Forward Current *1	5	A
P_D	Power Dissipation	200	mW
T_J	Junction Temperature	125	°C
T_{STG}	Storage Temperature	-55 to +125	°C

*1 8.3 ms single half sine-wave

Electrical Characteristics (Ta = 25 °C)

Symbol	Parameter	Conditions	Min	Max	Units
BV_R	Breakdown Voltage	$I_R = 500 \mu A$	30		V
I_R	Reverse Current	$V_R = 20V$		80	μA
V_F	Forward Voltage	$I_F = 100mA$		0.35	V
		$I_F = 500mA$		0.45	V

L053WT

Ordering Information

Device	Package	Shipping	Tape wide	Emboss pitch	Tape specification	Notes
L053WT	SOD-323FL	Tape & Reel 3000pcs /7" Reel	8 mm	4 mm	Conductive	

Package Dimensions

