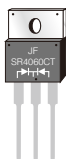
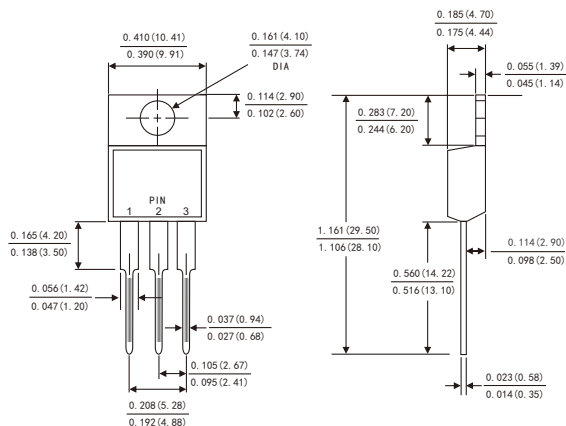


### FEATURES

- Plastic package has Underwriters Laboratory Flammability Classification 94V-0
- Metal silicon junction ,majority carrier conduction
- Guard ring for overvoltage protection
- Low power loss ,high efficiency
- High current capability ,Low forward voltage drop
- Single rectifier construction
- High surge capability
- For use in low voltage ,high frequency inverters, free wheeling ,and polarity protection applications
- High temperature soldering guaranteed:260°C/10 seconds, 0.25"(6.35mm)from case
- Component in accordance to RoHS 2011/65/EU



### TO-220AB



Dimensions in inches and (millimeters)

### MECHANICAL DATA

- Case: JEDEC TO-220AB molded plastic body
- Terminals: Lead solderable per MIL-STD-750,method 2026
- Polarity: As marked
- Mounting Position: Any

### MAXIMUM RATINGS AND ELECTRICAL CHARACTERISTICS

(Ratings at 25 °C ambient temperature unless otherwise specified ,Single phase ,half wave ,resistive or inductive load. For capacitive load,derate by 20%.)

Parameters		Symbols	SR4045CT	SR4060CT	SR40100CT	SR40150CT	SR40200CT	Units
Maximum repetitive peak reverse voltage		VRRM	45	60	100	150	200	Volts
Maximum RMS voltage		VRMS	32	42	70	105	140	Volts
Maximum DC blocking voltage		VDC	45	60	100	150	200	Volts
Maximum average forward rectified current See Fig. 1	Per leg	I(AV)	20.0					Amps
	Total device		40.0					
Peak forward surge current 8.3ms single half sine-wave superimposed on rated load (JEDEC method)		IFSM	300.0					Amps
Maximum instantaneous forward voltage at 20.0 A		VF	0.60	0.75	0.85	0.90	0.95	Volts
Maximum instantaneous reverse current at rated DC blocking voltage(Note 1)	T <sub>A</sub> =25°C	IR	100		20			μ A
	T <sub>A</sub> =100°C		5		-			mA
	T <sub>A</sub> =125°C		-		3			
Typical thermal resistance (Note 2)		R <sub>θJC</sub>	1.5					°C/W
Operating junction temperature range		T <sub>J</sub>	-55 to +150					°C
Storage temperature range		T <sub>STG</sub>	-55 to +150					°C

Notes: 1.Pulse test: 300 μ s pulse width,1% duty cycle

2.Thermal resistance from junction to case

# RATINGS AND CHARACTERISTIC CURVES SR4045CT THRU SR40200CT

FIG.1-FORWARD CURRENT DERATING CURVE

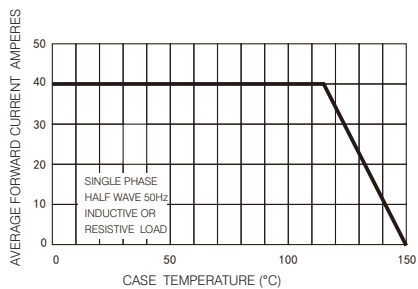


FIG.2-MAXIMUM NON-REPETITIVE PEAK FORWARD SURGE CURRENT

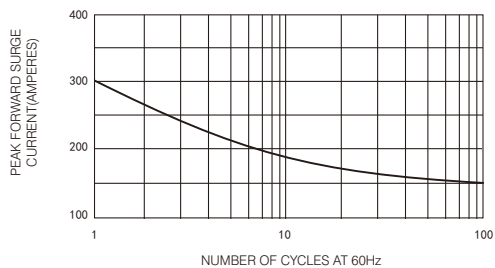


FIG.3-TYPICAL INSTANTANEOUS FORWARD CHARACTERISTICS

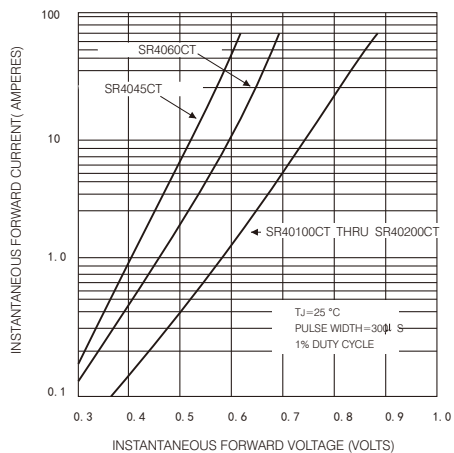


FIG.4-TYPICAL REVERSE CHARACTERISTICS

