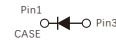
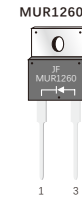


FEATURES

- Plastic package has Underwriters Laboratory Flammability Classification 94V-0
- Fast switching for high efficiency
- Low forward voltage drop
- Single rectifier construction
- High surge capability
- For use in low voltage ,high frequency inverters, free wheeling ,and polarity protection applications
- High temperature soldering guaranteed:260°C/10 seconds, 0.25"(6.35mm)from case
- Component in accordance to RoHS 2015/863/EU

TO-220AC



ITO-220AC



TO-263
MUR1260D2



MECHANICAL DATA

- Case: JEDEC TO-220AC, ITO-220AC, TO-263 molded plastic body
- Terminals: Lead solderable per MIL-STD-750, method 2026
- Polarity: As marked
- Mounting Position: Any

MAXIMUM RATINGS AND ELECTRICAL CHARACTERISTICS

(Ratings at 25°C ambient temperature unless otherwise specified ,Single phase ,half wave ,resistive or inductive load. For capacitive load, derate by 20%.)

Parameters	Symbols	Value	Units
Maximum repetitive peak reverse voltage	V_{RRM}	600	Volts
Maximum RMS voltage	V_{RMS}	420	Volts
Maximum DC blocking voltage	V_{DC}	600	Volts
Maximum average forward rectified current(see Fig.1)	$I_{(AV)}$	12.0	Amps
Peak forward surge current 8.3ms single half sine-wave superimposed on rated load (JEDEC method)	I_{FSM}	130	Amps
Maximum instantaneous forward voltage at 12.0 A(Note 1)	V_F	1.7	Volts
Maximum instantaneous reverse current at rated DC blocking voltage(Note 1)	$T_a = 25^\circ\text{C}$	5	μA
	$T_a = 125^\circ\text{C}$	50	
Maximum Reverse Recovery Time (Note 2)	t_{rr}	35	ns
Typical thermal resistance (Note 3)	$R_{\theta JC}$	TO-220AC\TO-263	2.5
		ITO-220AC	4.5
Operating junction temperature range	T_J	-55 to +150	$^\circ\text{C}$
Storage temperature range	T_{STG}	-55 to +150	$^\circ\text{C}$

Notes: 1. Pulse test: 300 μs pulse width, 1% duty cycle

2. Reverse recovery test conditions $I_F = 0.5\text{A}$, $I_R = 1.0\text{A}$, $I_{rr} = 0.25\text{A}$

3. Thermal resistance from junction to case

FIG.1-FORWARD CURRENT DERATING CURVE

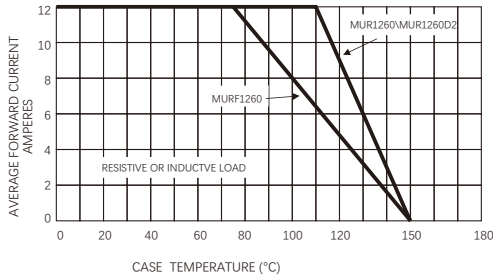


FIG.3-TYPICAL INSTANTANEOUS FORWARD CHARACTERISTICS

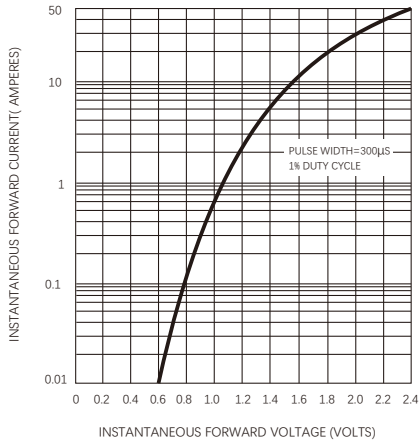


FIG.2-MAXIMUM NON-REPETITIVE PEAK FORWARD SURGE CURRENT

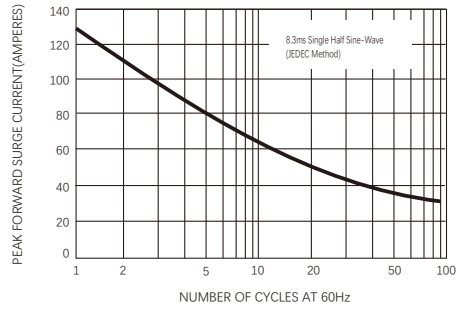
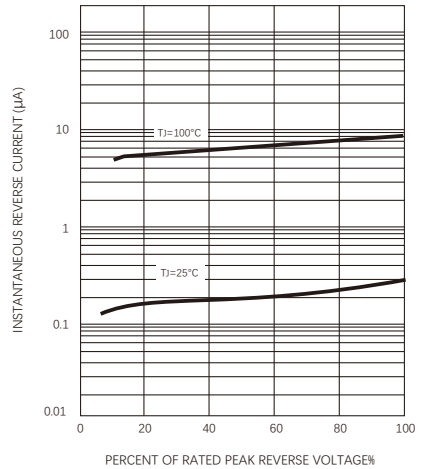
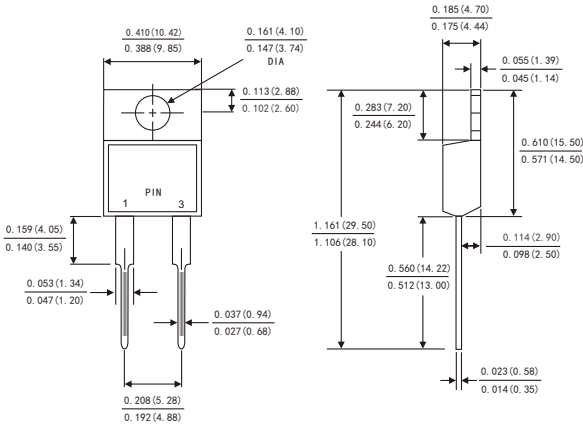


FIG.4-TYPICAL REVERSE CHARACTERISTICS

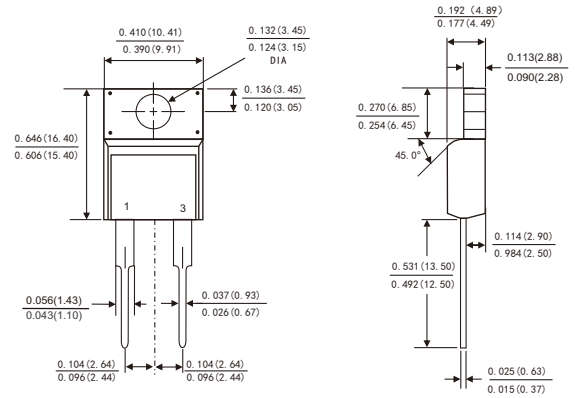


Dimensions in inches and (millimeters)

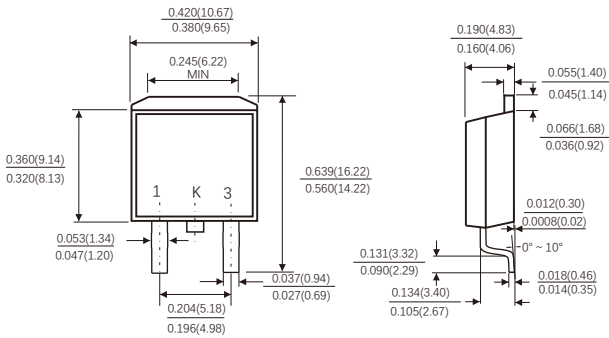
TO-220AC



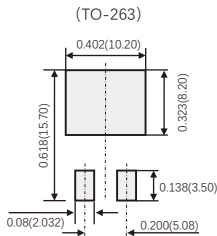
ITO-220AC



TO-263



Suggested Pad Layout



(对于TO263, 设计者可参考推荐值根据焊接工艺要求自行确定适合的焊盘尺寸)
(For TO-263, Designers can refer to the recommended values according to the manufacturing process requirements to determine the appropriate pad size)

Friendship Reminder

- JiNan JingHeng (hereinafter referred to as JH) reserves the right to make changes to this document and its products and specifications at anytime without notice.
- Customers should obtain and confirm the latest product information and specifications before final design, purchase or use.
- JH makes no warranty, representation or guarantee regarding the suitability of its products for any particular purpose, nor does JH assume any liability for application assistance or customer product design.
- JH does not warrant or accept any liability with products which are purchased or used for any unintended or unauthorized application.
- No license is granted by implication or otherwise under any intellectual property rights of JH.
- JH' s products are not authorized for use as critical components in life support devices or systems without express written approval of JH.