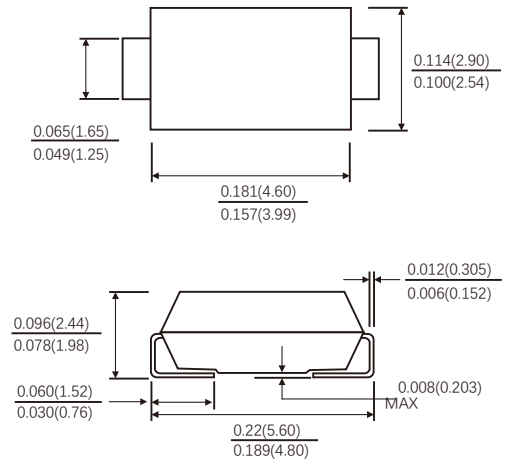


FEATURES

- Plastic package has Underwriters Laboratory Flammability Classification 94V-0
- Metal silicon junction ,majority carrier conduction
- Guard ring for overvoltage protection
- Built-in strain relief
- For surface mounted applications
- Low profile package
- Low power loss ,high efficiency
- High current capability ,Low forward voltage drop
- High surge capability
- For use in low voltage ,high frequency inverters, free wheeling , and polarity protection applications
- High temperature soldering guaranteed:260 C/10^{seconds} at terminals
- Component in accordance to RoHS 2015\863\EU



SMA(DO-214AC)



Dimensions in inches and (millimeters)

MECHANICAL DATA

- Case: JEDEC SMA(DO-214AC) molded plastic body
- Terminals: Solder Plated, solderable per MIL-STD-750,method 2026
- Polarity: Color band denotes cathode end

MAXIMUM RATINGS AND ELECTRICAL CHARACTERISTICS

(Ratings at 25 C ambient temperature unless otherwise specified ,Single phase ,half wave ,resistive or inductive,load. For capacitive load, derate by 20%.)

Parameters	Symbols	SS22	SS23	SS24	SS26	SS210	SS215	SS220	Units
Maximum repetitive peak reverse voltage	V_{RRM}	20	30	40	60	100	150	200	Volts
Maximum RMS voltage	V_{RMS}	14	21	28	42	71	105	140	Volts
Maximum DC blocking voltage	V_{DC}	20	30	40	60	100	150	200	Volts
Maximum average forward rectified current	$I_{(AV)}$	2.0							Amps
Peak forward surge current 8.3ms single half sine-wave superimposed on rated load (JEDEC method)	I_{FSM}	50.0							Amps
Maximum instantaneous forward voltage at 2.0 A(Note 1)	V_F	0.55		0.70		0.85	0.90	0.95	Volts
Maximum instantaneous reverse current at rated DC blocking voltage(Note 1)	I_R	100			20			μ A	
		5.0			-			mA	
		-			3.0				
Typical thermal resistance (Note 2)	$R_{\theta JA}$	88.0							$^{\circ}$ C/W
	$R_{\theta JL}$	28.0							
Operating junction temperature range	T_J	-55 to+150							$^{\circ}$ C
Storage temperature range	T_{STG}	-55 to+150							$^{\circ}$ C

Notes:1.Pulse test: 300 s pulse width,1% duty cycle
2. P.C.B. mounted with 0.2 X 0.2"(5.0 X 5.0mm)copper pad areas

FIG.1-FORWARD CURRENT DERATING CURVE

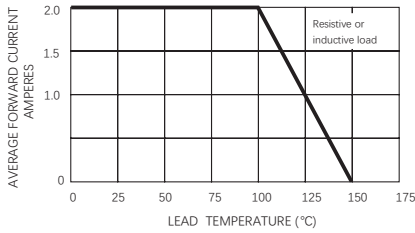


FIG.2-MAXIMUM NON-REPETITIVE PEAK FORWARD SURGE CURRENT

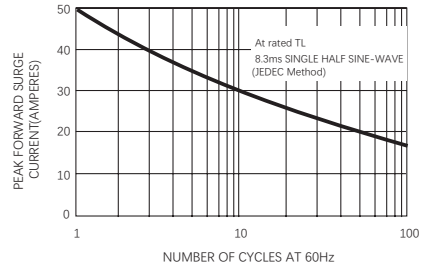


FIG.3-TYPICAL INSTANTANEOUS FORWARD CHARACTERISTICS

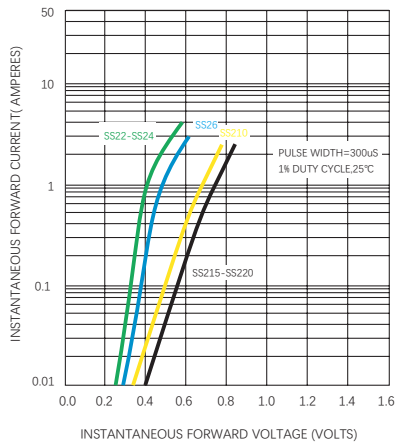


FIG.4-TYPICAL REVERSE CHARACTERISTICS

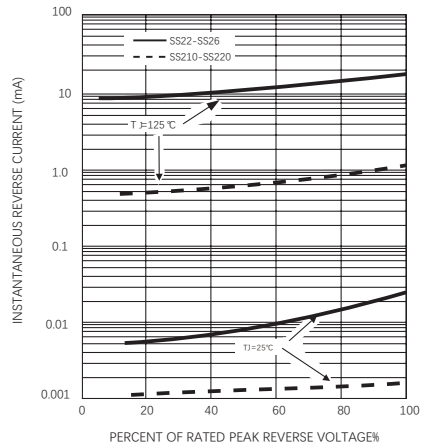
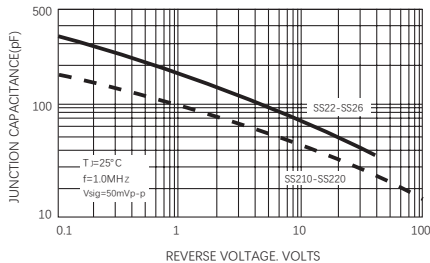


FIG.5-TYPICAL JUNCTION CAPACITANCE



Friendship Reminder

- JiNan JingHeng(hereinafter referred to as JH) reserves the right to make changes to this document and its products and specifications at anytime without notice.
- Customers should obtain and confirm the latest product information and specifications before final design, purchase or use.
- JH makes no warranty, representation or guarantee regarding the suitability of its products for any particular purpose, nor does JH assume any liability for application assistance or customer product design.
- JH does not warrant or accept any liability with products which are purchased or used for any unintended or unauthorized application.
- No license is granted by implication or otherwise under any intellectual property rights of JH.
- JH's products are not authorized for use as critical components in life support devices or systems without express written approval of JH.