

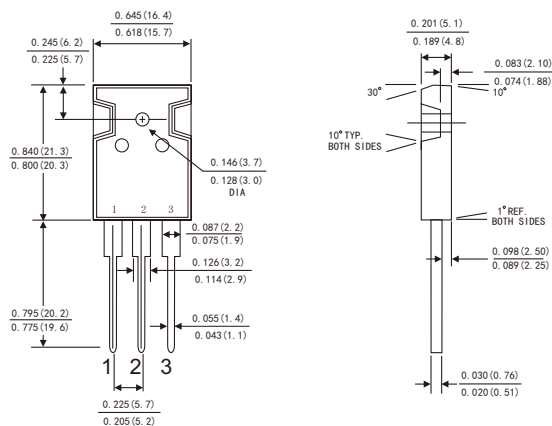
DESCRIPTION

SiC Schottky Diode has no switching loss, provides improved system efficiency against Si diodes by utilizing new semiconductor material—Silicon Carbide, enables higher operating frequency, and helps increasing power density and reduction of system size /cost. Its high reliability ensures robust operation during surge or over_voltage conditions.

FEATURES

- Max Junction Temperature 175° C
- High Surge Current Capacity
- Positive Temperature Coefficient
- Ease of Paralleling
- No Reverse Recovery/No Forward Recovery

TO-247AB



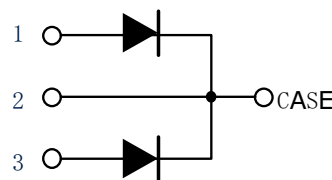
Dimensions in inches and (millimeters)

MECHANICAL DATA

- Case: JEDEC TO-247AB
- Molding compound meets UL94V-0 flammability rating
- Terminals: Lead solderable per J-STD-002 and JESD22-B102
- Polarity: As marked
- Mounting Torque: 10 in-lbs maximum

TYPICAL APPLICATIONS

- General Purpose
- SMPS, Solar inverter, UPS
- Power Switching Circuits



KEY PERFORMANCE AND PACKAGE PARAMETERS (leg/device)

Type	V _{DC}	I _F	Q _c	T _{J,max}	Package
SC30120PT	1200V	15A/30A	48nC/96nC	175°C	TO-247AB

RATINGS AND CHARACTERISTIC OF SC30120PT

MAXIMUM RATINGS

(Ratings at 25°C ambient temperature unless otherwise specified)

Parameter	Symbol	Value (leg/device)	Unit
Maximum repetitive peak reverse voltage	V_{RRM}	1200	V
Continuous Forward Current for $R_{th(j-c)}$	I_F	15/30 ($T_c \leq 137^\circ\text{C}$)	A
Non-Repetitive Forward Surge Current (Half-Sine Pulse, $t_p=8.3\text{ms}$)	$I_{F,SM}$	135/270 ($T_c=25^\circ\text{C}$) 120/240 ($T_c=150^\circ\text{C}$)	A
I^2t value	$\int i^2t$	75/300 ($T_c=25^\circ\text{C}$) 59/236 ($T_c=150^\circ\text{C}$)	A^2S
Diode dv/dt ruggedness($V_R=0\dots 960\text{V}$)	dv/dt	80	V/nS
Power dissipation for $R_{th(j-c,max)}$ ($T_c=25^\circ\text{C}$)	P_{tot}	250/300	W
Operating junction temperature range	T_j	-55...175	$^\circ\text{C}$
Storage temperature range	T_{stg}	-55...175	$^\circ\text{C}$

THERMAL CHARACTERISTICS ($T_A=25^\circ\text{C}$ Unless otherwise noted)

Parameter	Symbol	Value(leg/device)		Unit
		Typ	Max	
Diode thermal resistance junction-case	$R_{th(j-c)}$	0.6/0.5	0.8/0.7	K/W

RATINGS AND CHARACTERISTIC OF SC30120PT

ELECTRICAL CHARACTERISTICS (T_A=25°C Unless otherwise noted)

Parameter	Symbol	Conditions	Value(leg/device)			Unit
			min	typ	max	
DC blocking voltage	V _{DC}	T _j =25...175°C	1200			V
Diode forward voltage	V _F	IF=15A/30A T _j =25°C IF=15A/30A T _j =125°C IF=15A/30A T _j =175°C		1.57 2.2 2.25	1.8 2.5 2.5	V
Reverse current	I _R	VR=1200V T _j =25°C VR=1200V T _j =125°C VR=1200V T _j =175°C			20/40 100/200 200/400	uA

DYNAMIC CHARACTERISTICS(at T_j=25°C, unless otherwise specified)

Parameter	Symbol	conditions	Value(leg/device)			Unit
			min	typ	max	
Total capacitive charge	Q _c	VR=1200V, IF=15A di/dt=200A/uS T _j =25°C		48/96		nC
Total capacitance	C	V _R =0V, f=1MHz V _R =400V, f=1MHz V _R =800V, f=1MHz T _j =25°C		940/1880 70/140 57/114		pF

RATINGS AND CHARACTERISTIC OF SC30120PT

FIG.1-FORWARD CURRENT DERATING CURVE(device)

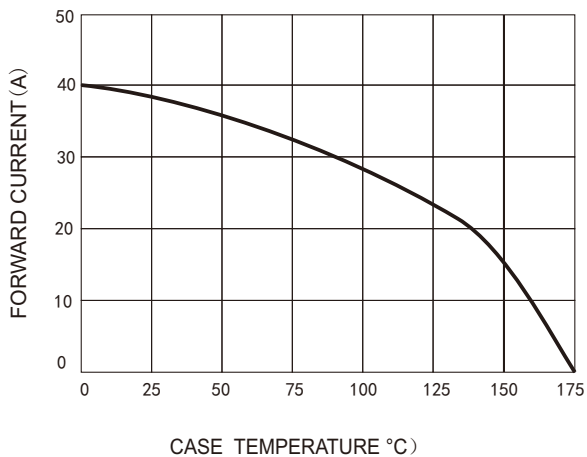


FIG.2-TYPICAL JUNCTION CAPACITANCE(per leg)

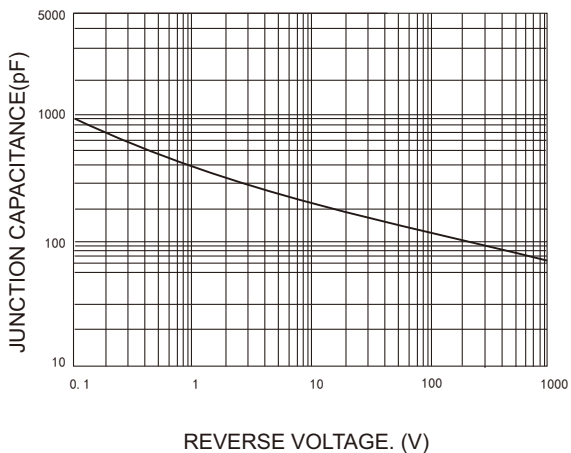


FIG.3-FORWARD CURRENT DERATING CURVE(per leg)

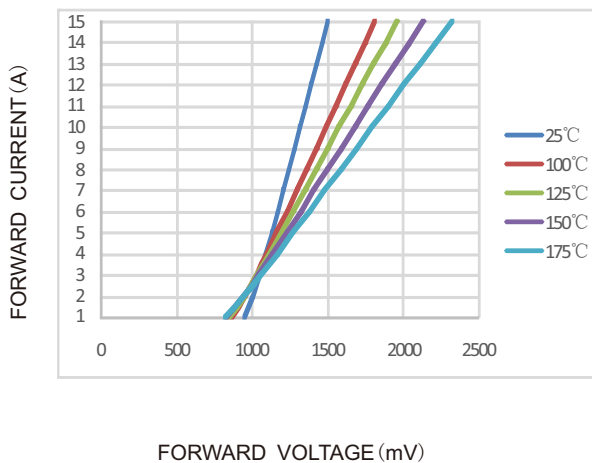
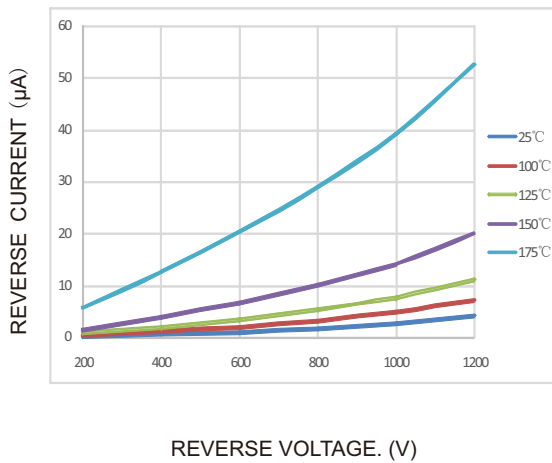


FIG.4-REVERSE CHARACTERISTICS(per leg)



Friendship Reminder

■ JiNan JingHeng (hereinafter referred to as JH) reserves the right to make changes to this document and its products and specifications at anytime without notice.

■ Customers should obtain and confirm the latest product information and specifications before final design, purchase or use.

■ JH makes no warranty, representation or guarantee regarding the suitability of its products for any particular purpose, nor does JH assume any liability for application assistance or customer product design.

■ JH does not warrant or accept any liability with products which are purchased or used for any unintended or unauthorized application.

■ No license is granted by implication or otherwise under any intellectual property rights of JH.

■ JH's products are not authorized for use as critical components in life support devices or systems without express written approval of JH.