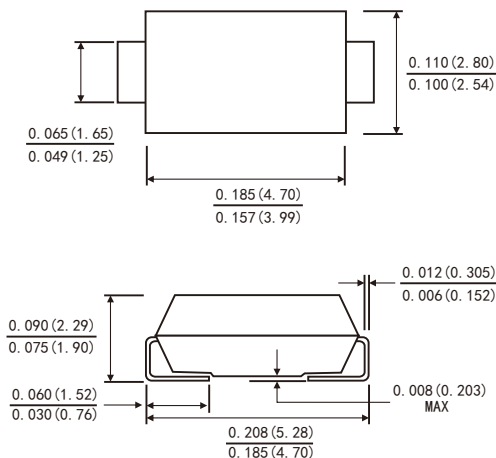


FEATURES

- Plastic package has Underwriters Laboratory Flammability Classification 94V-0
- Metal silicon junction ,majority carrier conduction
- For surface mount applications
- Guard ring for overvoltage protection
- Low power loss ,high efficiency
- High current capability ,Low forward voltage drop
- High surge capability
- For use in low voltage ,high frequency inverters, free wheeling ,and polarity protection applications
- High temperature soldering guaranteed:260°C/10 seconds at terminals
- Component in accordance to RoHS 2011/65/EU



SMA(DO-214AC)



Dimensions in inches and (millimeters)

MECHANICAL DATA

- Case: JEDEC SMA(DO-214AC) molded plastic body
- Terminals: Solder Plated, solderable per MIL-STD-750,method 2026
- Polarity: Color band denotes cathode end
- Weight: 0.002ounce, 0.064 gram

MAXIMUM RATINGS AND ELECTRICAL CHARACTERISTICS

(Ratings at 25°C ambient temperature unless otherwise specified ,Single phase ,half wave ,resistive or inductive load. For capacitive load,derate by 20%.)

	Symbols	SS 12	SS 13	SS 14	SS 16	SS 110	SS 115	SS 120	Volts	
Maximum repetitive peak reverse voltage	V _{RRM}	20	30	40	60	100	150	200	Volts	
Maximum RMS voltage	V _{RMS}	14	21	28	42	71	105	140	Volts	
Maximum DC blocking voltage	V _{DC}	20	30	40	60	100	150	200	Volts	
Maximum average forward rectified current. (See Fig. 1)	I(AV)	1.0							Amp	
Peak forward surge current 8.3ms single half sine-wave superimposed on rated load (JEDEC method)	I _{FSM}	40.0							Amps	
Maximum instantaneous forward voltage at 1.0 A(note 1)	V _F	0.55		0.75	0.85	0.90	0.95		Volts	
Maximum instantaneous reverse current at rated DC blocking voltage(Note 1)	T _A =25°C	100					20			μA
	T _A =100°C	5.0					-			mA
	T _A =125°C	-					3.0			
Typical thermal resistance (Note 2)	R _{θJA}	88.0							°C/W	
	R _{θJL}	28.0								
Operating junction temperature range	T _J	-55 to+150							°C	
Storage temperature range	T _{STG}	-55 to+150							°C	

Notes: 1. Pulse test: 300μs pulse width, 1% duty cycle
2.P.C.B. mounted with 0.2 X 0.2"(5.0 X 5.0mm)copper pad areas

RATINGS AND CHARACTERISTIC CURVES SS12 THRU SS120

FIG.1-FORWARD CURRENT DERATING CURVE

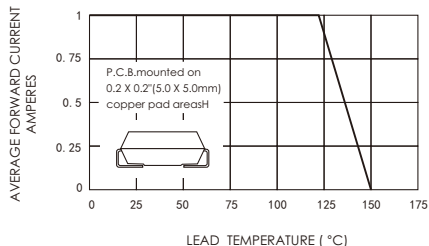


FIG.2-MAXIMUM NON-REPETITIVE PEAK FORWARD SURGE CURRENT

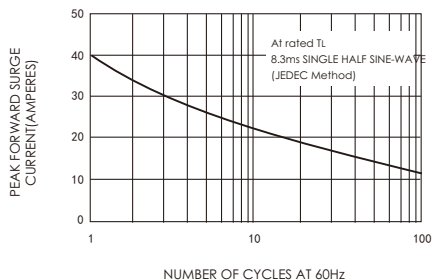


FIG.3-TYPICAL INSTANTANEOUS FORWARD CHARACTERISTICS

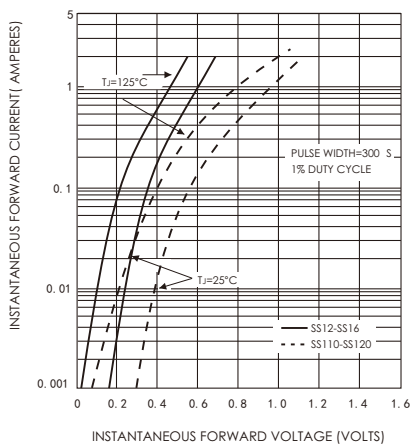


FIG.4-TYPICAL REVERSE CHARACTERISTICS

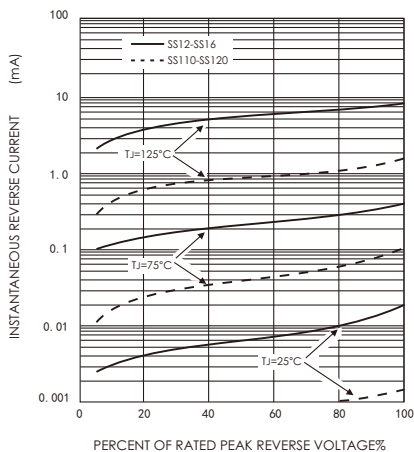


FIG.5-TYPICAL JUNCTION CAPACITANCE

