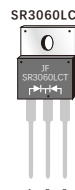


FEATURES

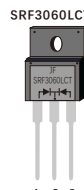
- Power pack
- Metal silicon junction ,majority carrier conduction
- Guard ring for overvoltage protection
- Low power loss ,high efficiency
- High current capability ,low forward voltage drop
- High forward surge capability
- High frequency operation
- Meets MSL Level 1, per J-STD-020,LF MAX peak of 260°C (for TO-263 package)
- Solder bath temperature 275°C maximum, 10s, per JESD22-B106 (for TO-220AB and ITO-220AB package)
- Meets ESD Rating: IEC61000-4-2,contact discharge,±6KV
- Component in accordance to RoHS 2015/65/EU



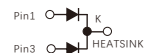
TO-220AB



ITO-220AB



TO-263
SR3060LD1



MECHANICAL DATA

- Case: JEDEC TO-220AB、ITO-220AB、TO-263
- Molding compound meets UL94V-0 flammability rating
- Terminals: Lead solderable per J-STD-002 and JESD22-B102
- Polarity: As marked
- Mounting Torque: 10 in-lbs maximum

TYPICAL APPLICATIONS

For use in low voltage ,high frequency inverters ,DC/DC converters,free wheeling ,and polarity protection applications

MAXIMUM RATINGS

(Ratings at 25°C ambient temperature unless otherwise specified)

Parameter	Symbol	Value	Unit
Maximum repetitive peak reverse voltage	V_{RRM}	60	V
Maximum average forward rectified current,D=0.5, Square waveform,Tc≤115°C for TO-220AB and TO-263, Tc≤80°C for ITO-220AB (see Fig.1)	Per leg	15.0	A
	Total device	30.0	
Peak forward surge current 8.3ms single half sine-wave superimposed on rated load (JEDEC method at rated TL, Total device)	I_{FSM}	200	A
Peak repetitive reverse current per diode at tp=2μs 1KHz	I_{RRM}	0.5	A
Operating junction and Storage temperature range	T_J, T_{stg}	-55 to+150	°C
Isolation voltage(ITO-220AB only)from terminals to heatsink t=1 min	V_{AC}	1500	V

PRIMARY CHARACTERISTICS	
$I_{(AV)}$	2×15A
V_{RRM}	60V
I_{FSM}	200A
V_f at $I_f=15.0A, 125^\circ C$ Per leg	0.54V
$I_{R,typ}$	10μA
T_{JMAX}	150°C
Package	TO-220AB, ITO-220AB, TO-263
Diode variations	Common cathode

ELECTRICAL CHARACTERISTICS (Per leg, $T_A=25^{\circ}\text{C}$ Unless otherwise noted)

Parameter	Test Conditions		Symbol	Typ.	Max.	Unit
Instantaneous forward voltage	$I_F=15.0\text{A}$	$T_A=25^{\circ}\text{C}$	V_F ¹⁾	0.56	0.60	V
		$T_A=100^{\circ}\text{C}$		0.55	-	
		$T_A=125^{\circ}\text{C}$		0.54	-	
	$I_F=10.0\text{A}$	$T_A=25^{\circ}\text{C}$		0.44	-	
		$T_A=100^{\circ}\text{C}$		0.38	-	
		$T_A=125^{\circ}\text{C}$		0.35	-	
Reverse current	$V_R=60\text{V}$	$T_A=25^{\circ}\text{C}$	I_R ²⁾	10	50	μA
		$T_A=100^{\circ}\text{C}$		1.5	-	mA
		$T_A=125^{\circ}\text{C}$		6.5	-	
Typical junction capacitance	4V,1MHz		C_j	1300		pF

Notes: 1.Pulse test: 300 μs pulse width,1% duty cycle

2.Pulse test: pulse width $\leq 40\text{ms}$

THERMAL CHARACTERISTICS

Parameter	Symbol	TO-220AB	ITO-220AB	TO-263	Unit
Typical thermal resistance ³⁾	$R_{\theta JC}$	2.0	4.0	2.0	$^{\circ}\text{C}/\text{W}$

3.Thermal resistance from junction to case,Total device

AVAILABLE PACK INFORMATION

Product code	Pack	Carton Size L×W×H(mm)	Inner Box Size L×W×H(mm)	Tube Length (mm)	Inner Box Number	Tube Number Per A Inner Box	Part Number Per A Tube	Quantity(carton) (K)
SR3060LCT-TO-220AB	Tube	565×225×170	548×151×37	540	5	20	50	5
SRF3060LCT-ITO-220AB	Tube	565×225×170	548×151×37	540	5	20	50	5
SR3060LD1-TO-263	Tube	565×225×170	548×151×37	538	5	20	50	5
Product code	Pack	Carton Size L×W×H(mm)	Inner Box Size L×W×H(mm)	Reel Diameter (mm)	Inner Box Number	Reel Number Per A Inner Box	Part Number Per A Reel	Quantity(carton) (K)
SR3060LD1-TO-263	Reel	364×364×235	330×330×38	$\phi 330$	5	1	800	4

FIG.1-FORWARD CURRENT DERATING CURVE

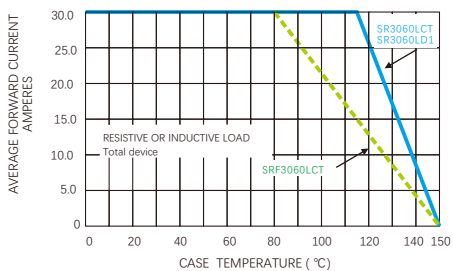


FIG.2-MAXIMUM NON-REPETITIVE PEAK FORWARD SURGE CURRENT

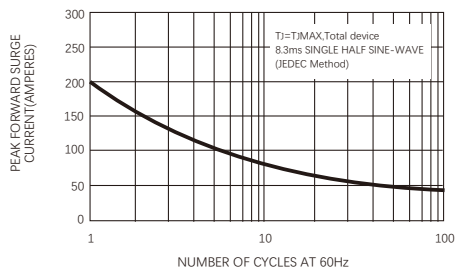


FIG.3-TYPICAL INSTANTANEOUS FORWARD CHARACTERISTICS

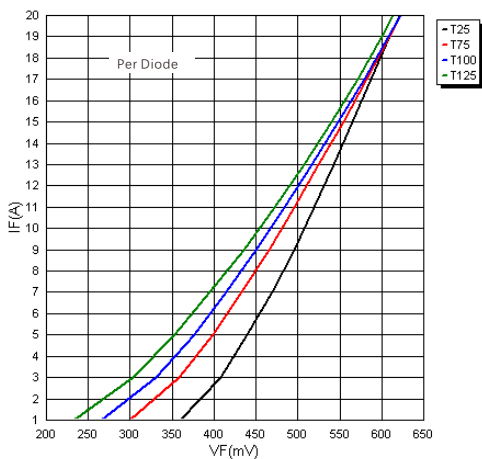


FIG.4-TYPICAL REVERSE CHARACTERISTICS

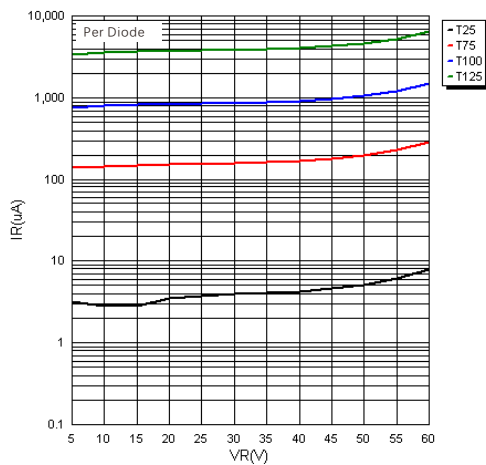
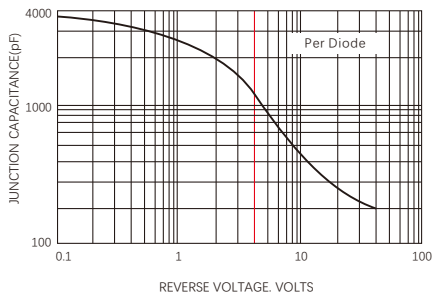
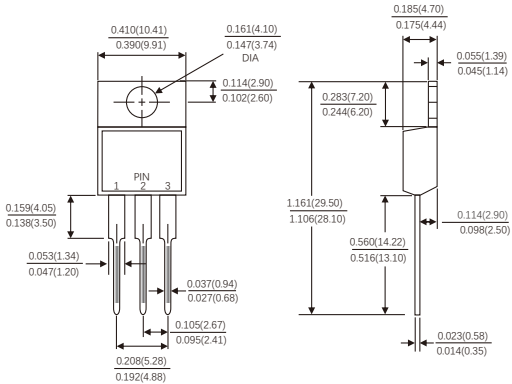


FIG.5-TYPICAL JUNCTION CAPACITANCE

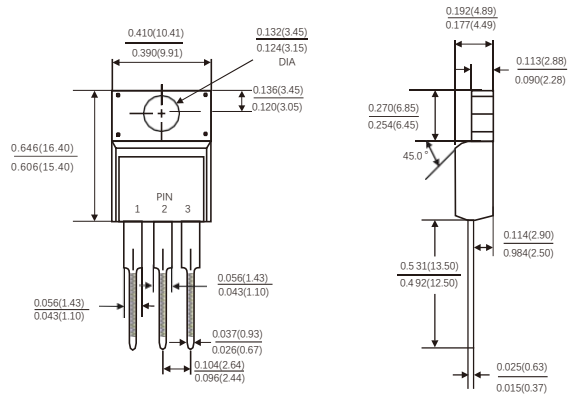


Dimensions in inches and (millimeters)

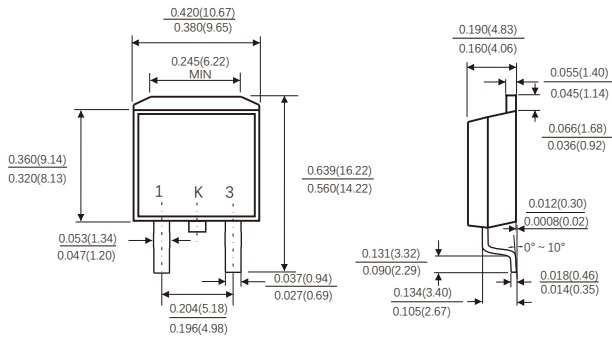
TO-220AB



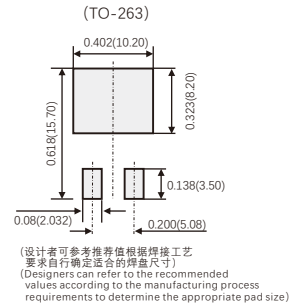
ITO-220AB



TO-263



Suggested Pad Layout



Friendship Reminder

- JiNan JingHeng (hereinafter referred to as JH) reserves the right to make changes to this document and its products and specifications at anytime without notice.
- Customers should obtain and confirm the latest product information and specifications before final design, purchase or use.
- JH makes no warranty, representation or guarantee regarding the suitability of its products for any particular purpose, nor does JH assume any liability for application assistance or customer product design.
- JH does not warrant or accept any liability with products which are purchased or used for any unintended or unauthorized application.
- No license is granted by implication or otherwise under any intellectual property rights of JH.
- JH's products are not authorized for use as critical components in life support devices or systems without express written approval of JH.