

# HER601 THRU HER608

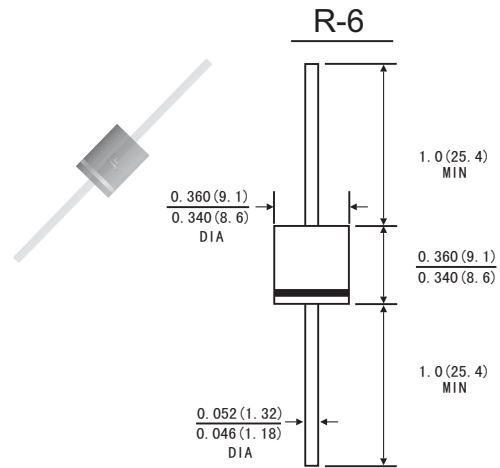
HIGH EFFICIENCY RECTIFIER  
 Reverse Voltage: 50 to 1000 Volts  
 Forward Current: 6.0 Amperes

## FEATURES

- Plastic package has Underwriters Laboratory Flammability Classification 94V-0
- Low forward voltage drop
- High current capability, High reliability
- Low power loss, high efficiency
- High surge current capability
- High speed switching, Low leakage
- High temperature soldering guaranteed: 260°C/10 seconds at terminals
- Component in accordance to RoHS 2011/65/EU

## MECHANICAL DATA

- Case: R-6 molded plastic body
- Lead: Plated axial leads, solderable per MIL-STD-750, method 2026
- Polarity: Color band denotes cathode end
- Mounting Position: Any
- Weight: 0.074 ounce, 2.1 grams



Dimensions in inches and (millimeters)

## MAXIMUM RATINGS AND ELECTRICAL CHARACTERISTICS

(Rating at 25°C ambient temperature unless otherwise specified. Single phase, half wave, 60Hz, resistive or inductive load. For capacitive load, derate current by 20%.)

	Symbols	HER 601	HER 602	HER 603	HER 604	HER 605	HER 606	HER 607	HER 608	Units
Maximum Recurrent Peak Reverse Voltage	$V_{RRM}$	50	100	200	300	400	600	800	1000	Volts
Maximum RMS Voltage	$V_{RMS}$	35	70	140	210	280	420	560	700	Volts
Maximum DC Blocking Voltage	$V_{DC}$	50	100	200	300	400	600	800	1000	Volts
Maximum Average Forward Rectified Current	$I(AV)$	6.0								Amps
Peak Forward Surge Current 8.3ms single half sine-wave superimposed on rated load (JEDEC method)	$I_{FSM}$	200.0								Amps
Maximum Instantaneous Forward Voltage at 6.0 A	$V_F$	1.0		1.3		1.85			Volts	
Maximum DC Reverse Current at rated DC blocking voltage	$T_A=25^\circ\text{C}$	10.0								$\mu\text{A}$
	$T_A=100^\circ\text{C}$	200								
Maximum reverse recovery time(Note1)	$T_{rr}$	60				100			ns	
Typical junction capacitance(Note2)	$C_J$	100								Pf
Operating junction and storage temperature range	$T_J$ $T_{STG}$	-55 to +125 -55 to +150								$^\circ\text{C}$

Note: 1. Test conditions:  $I_F=0.5\text{A}$ ,  $I_R=1.0\text{A}$ ,  $I_{RR}=0.25\text{A}$ .

2. Measured at 1MHz and applied reverse voltage of 4.0 Volts.

# RATINGS AND CHARACTERISTIC CURVES HER601 THRU HER608

FIG.1-TEST CIRCUIT DIAGRAM AND REVERSE RECOVERY TIME CHARACTERISTIC

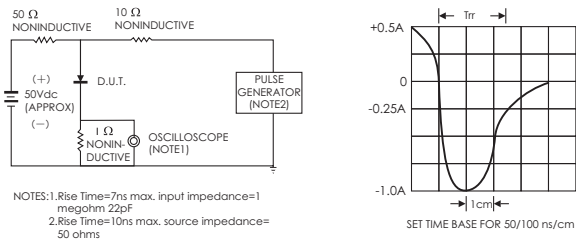


FIG.2-TYPICAL FORWARD CURRENT DERATING CURVE

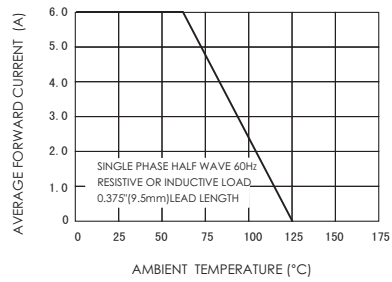


FIG.3-TYPICAL FORWARD CHARACTERISTICS

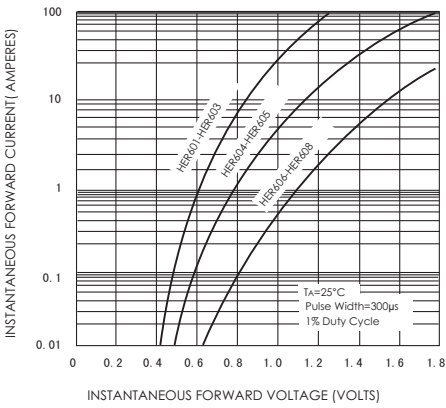


FIG.4-TYPICAL REVERSE CHARACTERISTICS

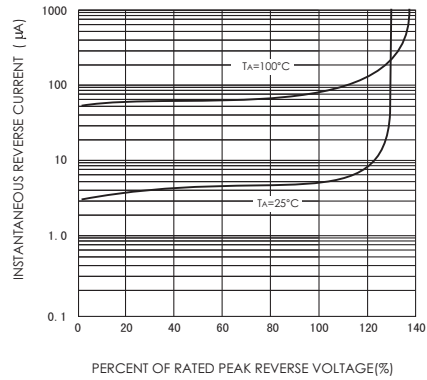


FIG.5-MAXIMUM NON-REPETITIVE FORWARD SURGE CURRENT

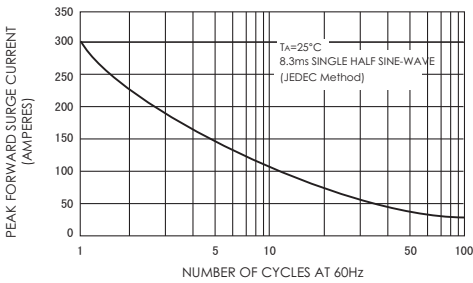


FIG.6-TYPICAL JUNCTION CAPACITANCE

